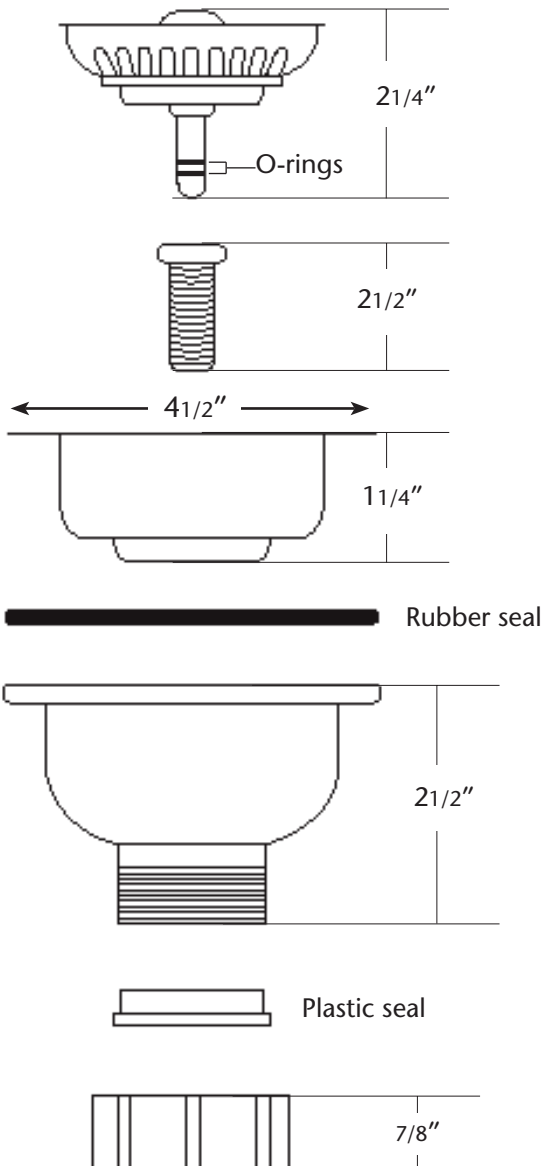


*SPECIFICATIONS FOR*  
**3.5" BASKET STRAINER DRAIN**



DR320- BN (Brushed Nickel)  
DR320-ORB (Oil Rubbed Bronze)  
DR320-WC (Weathered Copper)  
DR320-SC (Solid Copper)

**PRODUCT DETAILS**

- \* Fits 3.5" drain opening
- \* Long lasting stem with durable o-ring seal

**COORDINATING PRODUCTS**

- \* Any Native Trails kitchen or bar & prep basin with 3.5" opening
- \* Matching Disposer Trim: DR340