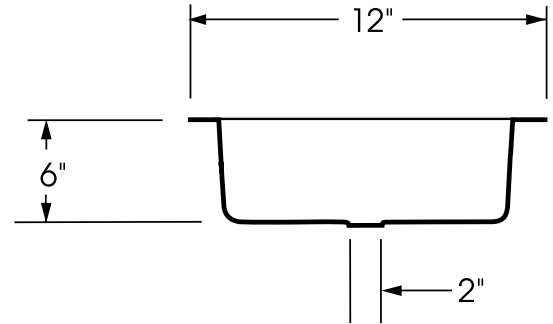
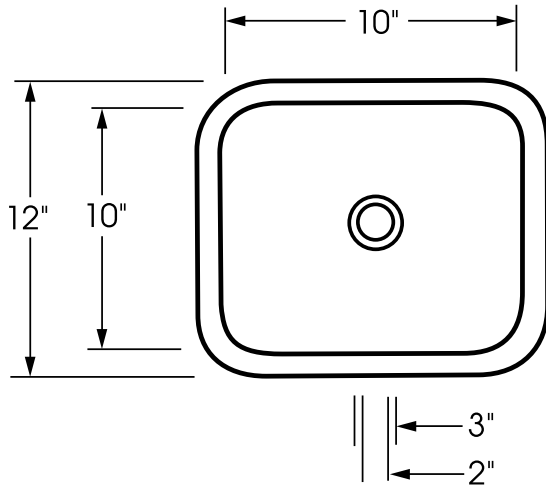


**SQUARE  
IN STAINLESS STEEL**



**SQUARE  
IN STAINLESS STEEL  
16 Gauge**

**DIMENSIONS**

Outside: 12" by 12"  
 Inside: 10" by 10"  
 Inside Depth: 6"

**IMPORTANT:**

We recommend you wait for  
 basin before making your  
 counter top cut-out. All  
 dimensions are approximate.

**OPTIONS**

	Yes	No
Self-rimming	x	
Under Counter	x	



**A N D B A T E S**

[www.batesandbates.com](http://www.batesandbates.com)