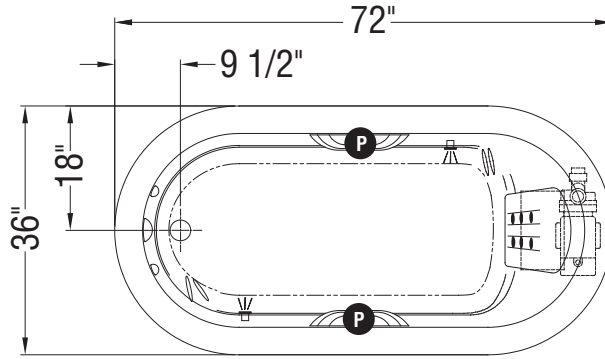
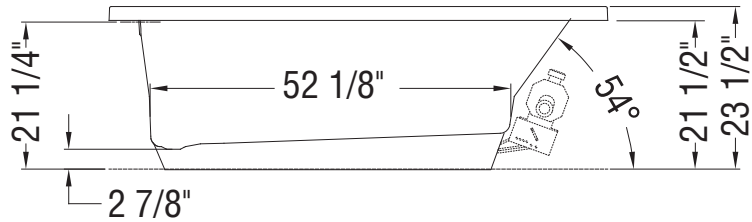
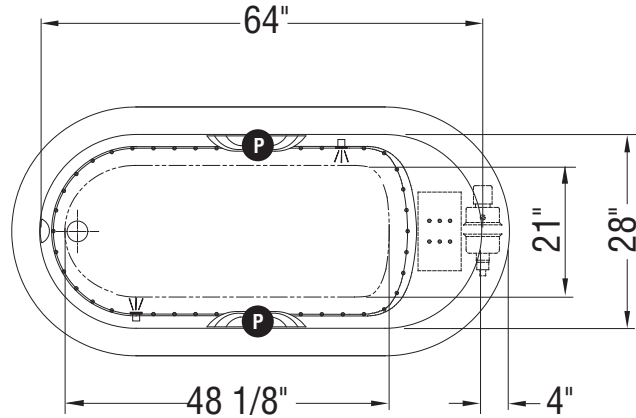


WHIRLPOOL SYSTEM



AIR SYSTEM



- (P): Indicates optional grab bar positioning
- (◦): Indicates air control positioning
- (○): Indicates overflow positioning
- (⊙): Indicates whirlpool jets positioning
- (•): Indicates airjets positioning
- (◌): Indicates backjets positioning
- (▽): Indicates chromatherapy light positioning

All dimensions are approximate. Structure measurements must be verified against the unit to ensure proper fit.