

SPECIFICATIONS

BANNOCKBURN™ SINGLE HANDLE PRESSURE BALANCE TUB & SHOWER FAUCET

Model

D510056

Description

- Single handle with self-cleaning two-function showerhead
- 1/2" slip spout fits 1/2" copper or 1/2" IPS stub-out
- Diverter on spout
- Back to back installation capabilities

Standards



- UPC/cUPC
- Energy policy act of 1992



- ASME A112.18.1



- CSA B125



- ASSE 1016

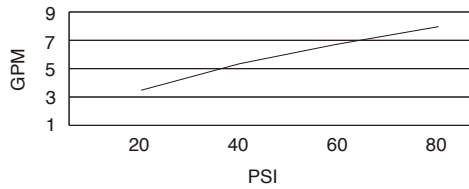


- ADA Accessibility Guidelines for Buildings and Facilities - 4.27.4 Controls and Mechanisms

Warranty

Danze products are covered by a manufacturer's limited "lifetime" warranty for manufacturing defects.

Flow Rate



Trim Kits:

- (for use w/pressure balance valves)
- D510056T (Tub/Shower trim)
- D500556T (Shower only trim)
- D500656T (Tub trim w/valve escutcheon)

Special Packaging

- This product also available with valve packaged separate from trim.
- Use with single handle pressure balance valves: D112000BT (w/stops) D115000BT (w/o stops)
- Valves are combination 1/2" copper sweat, 1/2" NPT threaded connectors for all ports.

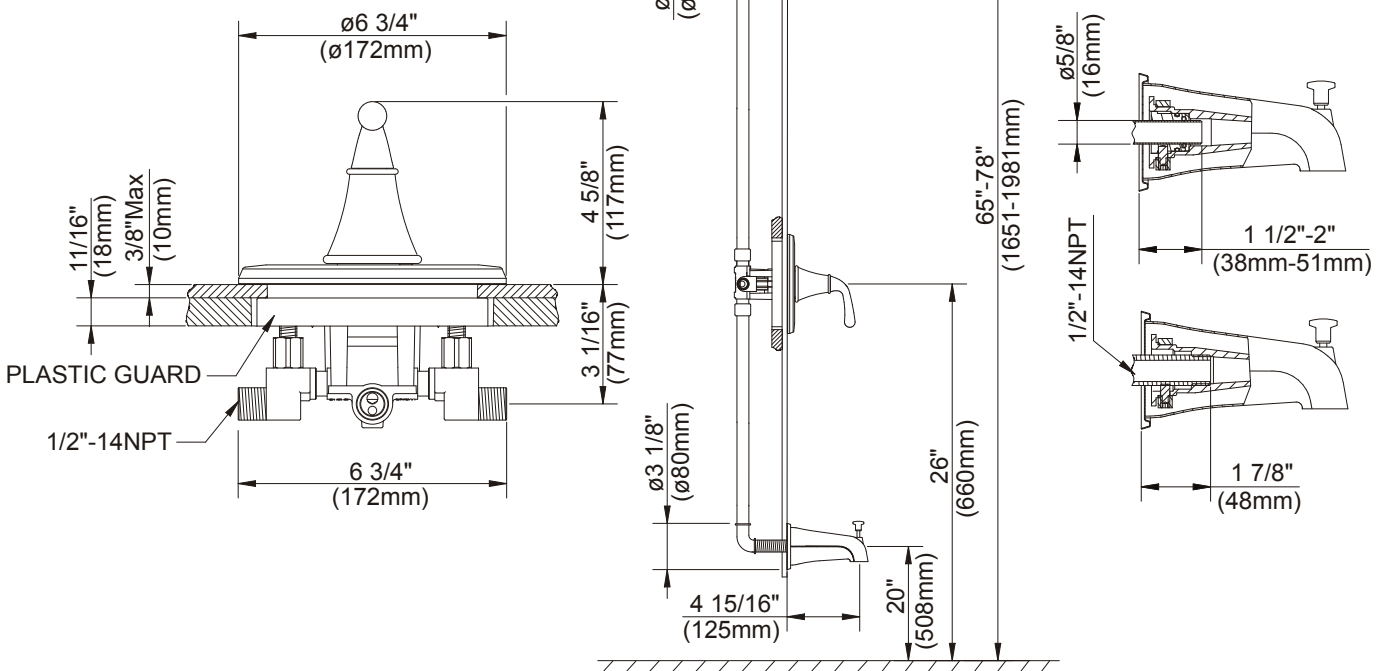


Finishes Available

- Chrome
- Other: Refer to Price List for additional finish

With Diverter & Stops:
d510056 (Tub/Shower)

With Stops:
d500556 (Shower only)



Submittal Information:

Job Name: _____
Contractor: _____

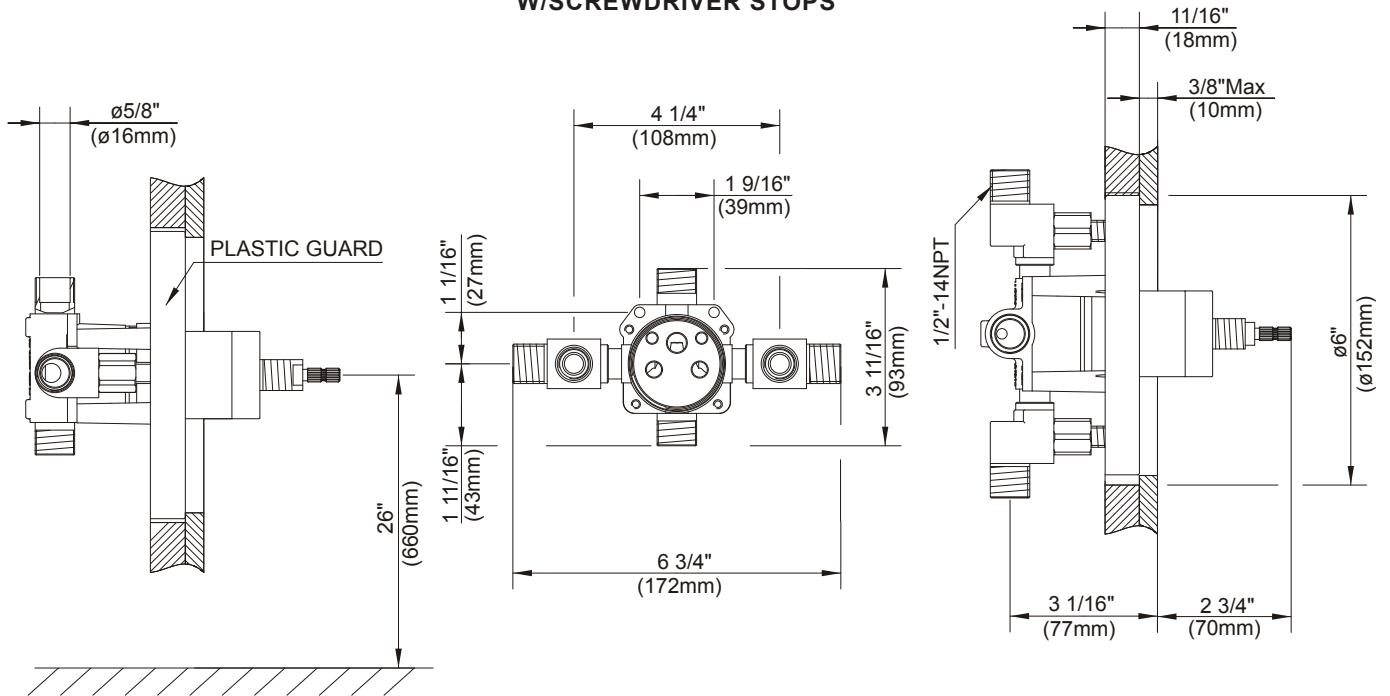
Location: _____
Contact #: _____

SPECIFICATIONS

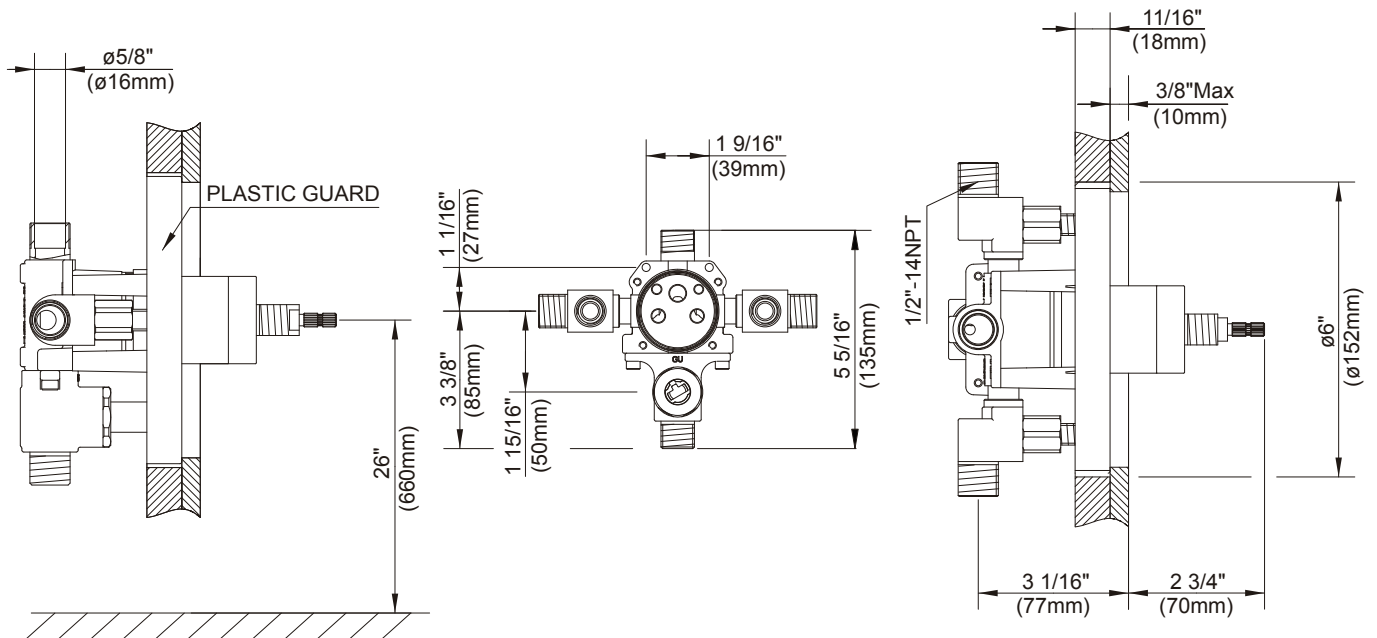
BANNOCKBURN™ SINGLE HANDLE PRESSURE BALANCE TUB & SHOWER FAUCET

Critical Dimensions : Rough-in valve D112000BT (w/stops) & D113000BT (w/diverter & stops)

W/SCREWDRIVER STOPS



W/DIVERTER & STOPS



Submittal Information:

Job Name: _____

Location: _____

Contractor: _____

Contact #: _____