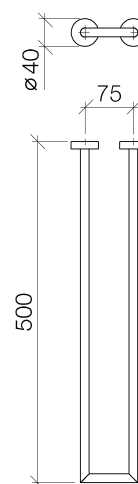




### Product specifications

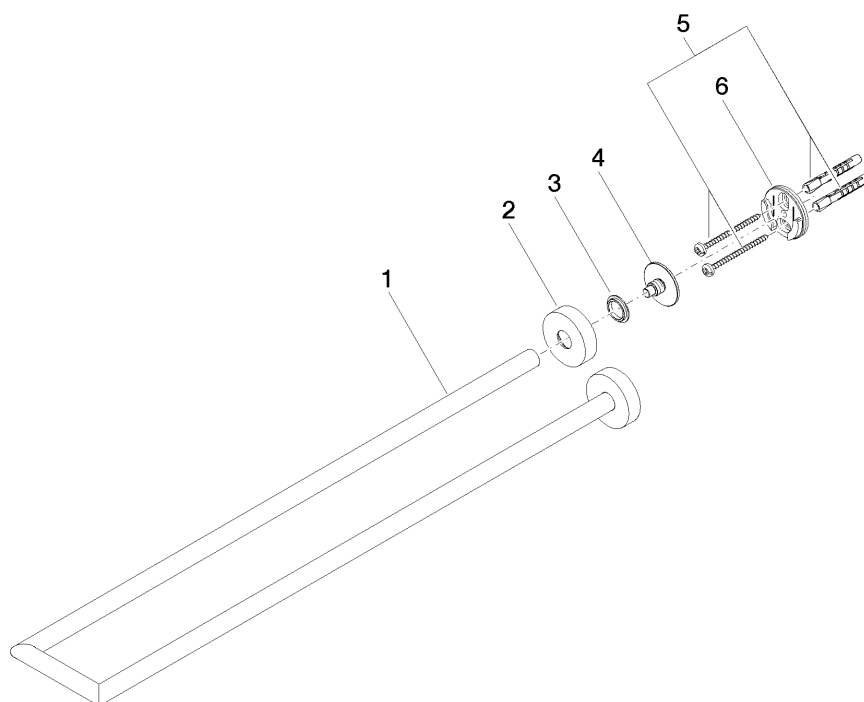
- Center to center 3"
- Flange diameter 1 5/8"
- 19 5/8" projection



### Surfaces

- |                 |             |
|-----------------|-------------|
| • chrome        | 83210979-00 |
| • chrome        | 83210979-00 |
| • matt platinum | 83210979-06 |
| • matt platinum | 83210979-06 |

**Exploded assembly drawing**



**Order quantity**

<b>No.</b>	<b>Article number</b>	<b>Name</b>	<b>Installation quantity</b>
1	05282262700ff	holder	1
2	082797500ff	rosette	2
3	08301151690	ring	2
4	08179756090	holder	2
5	0530310250090	fixing set	1
6	08179750107	holder	2