

## TECHNO 25

technical specifications

## 225 100 XXX

Single handle low profile lavatory faucet



# CIFIAL

### COMPLETE **BATH** SOLUTIONS

#### **CIFIAL – Torneiras, S.A.**

Apartado 413  
4524-907 Riomeão  
PORTUGAL  
40° 57' 29.20" N  
8° 35' 11.40" W  
Tel: +351 256 780 100  
Fax: +351 256 783 395  
comercial.torneiras@cifial.pt  
www.cifial.pt

#### **CIFIALdecor, S.A.**

Avda. del Petróleo, 44  
(Pol. Ind. San José de  
Valderas)  
28918 Leganes, Madrid  
ESPAÑA  
Tel: +34 916 110 261  
Fax: +34 916 103 694  
cifial@cifial.es

#### **CIFIAL UK, Ltd.**

7 Faraday Court, Park Farm  
Industrial Estate, Wellingbor-  
ough, Northants NN8 6XY  
UK  
Phone: +441 933 402 008  
Fax: +441 933 402 063  
sales@cifial.co.uk  
www.cifial.co.uk

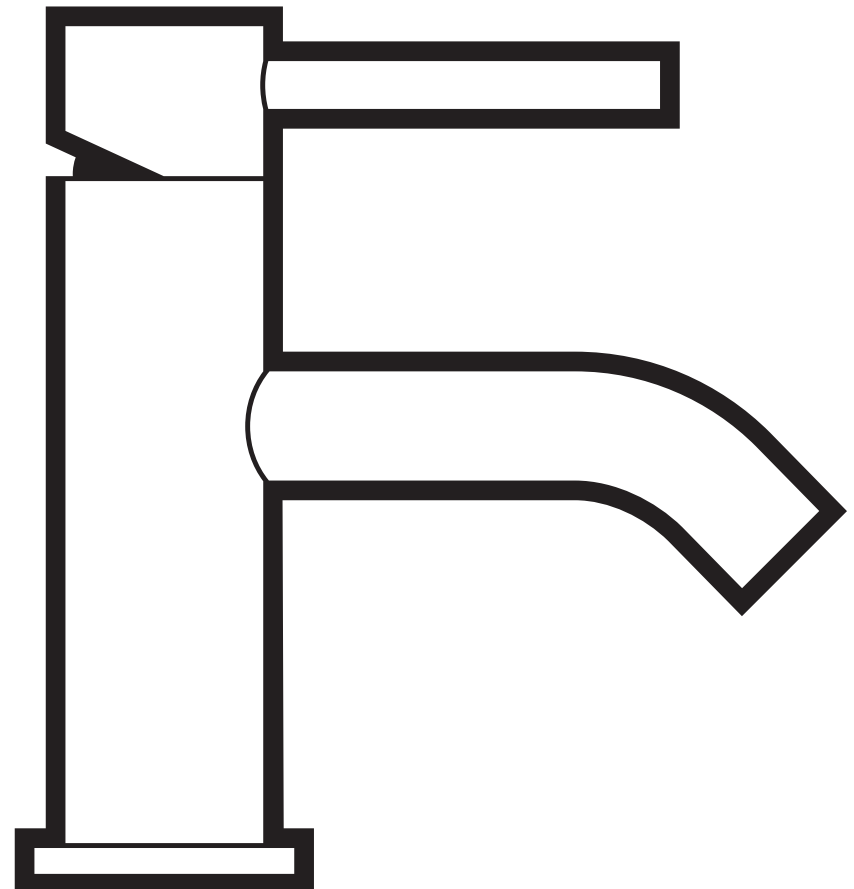
#### **CIFIAL USA**

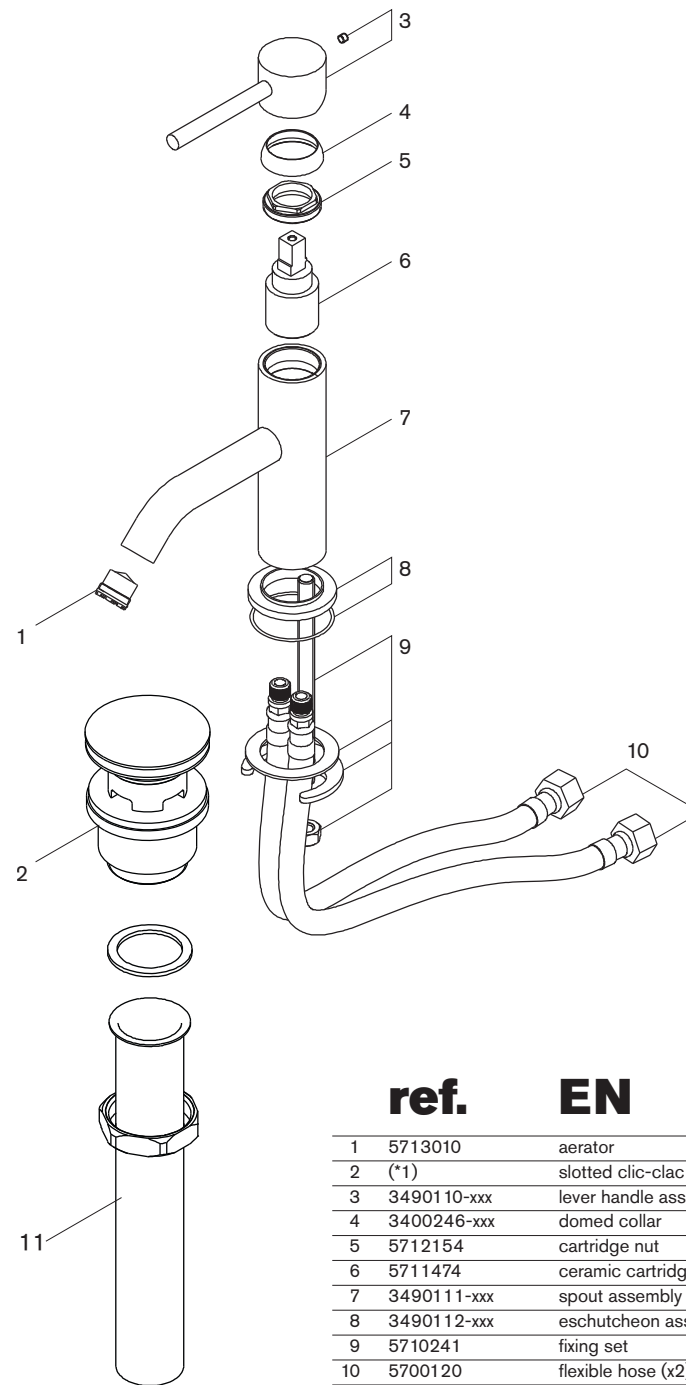
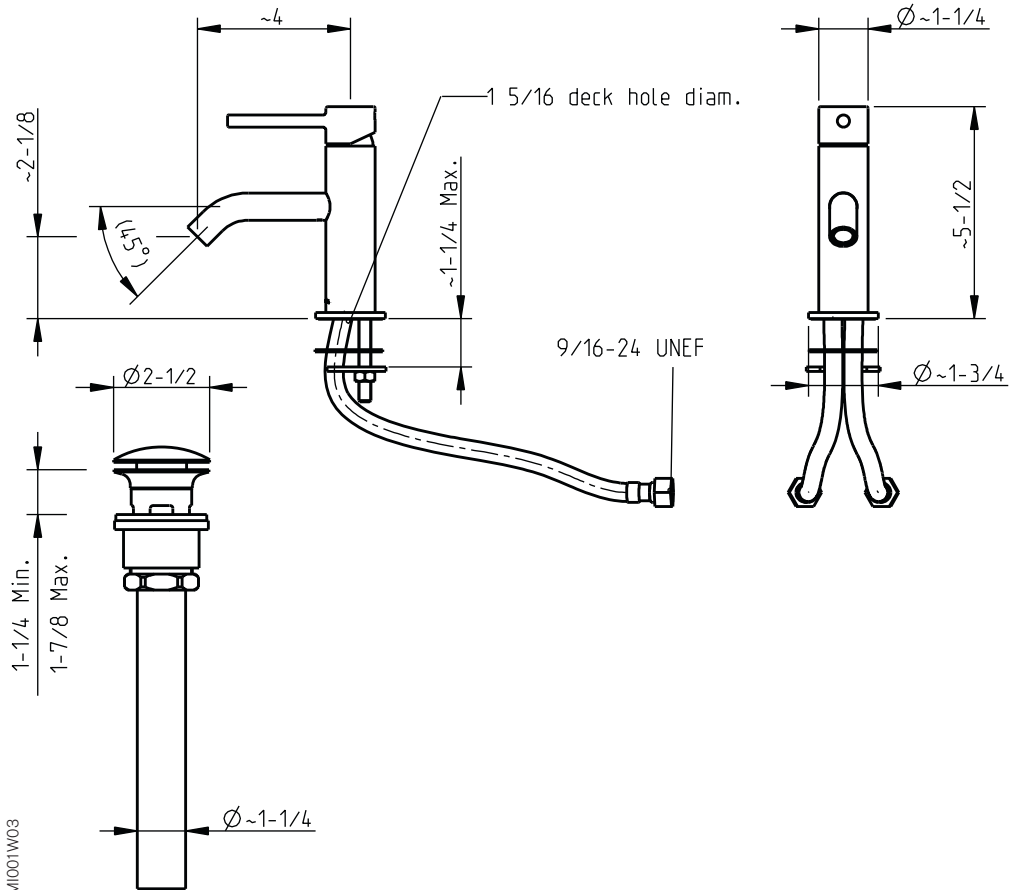
6540 Peachtree Industrial Blvd.  
Suite A  
Norcross, GA 30071  
USA  
Tel: +1 800 528 4904  
Fax: +1 800 528 1969  
www.cifialusa.com

#### **CIFIAL Polska sp. z o.o.**

ul. Macieja Rataja 12  
05-070 Sulejówek  
Warsaw  
POLAND  
Tel: +48 22 7831699  
Fax: +48 22 783 15 09  
cifial@cifial.pl  
www.cifial.pl

5663963 / 983M001W03





**ref. EN**

1	5713010	aerator
2	(*1)	slotted clic-clac waste assembly
3	3490110-xxx	lever handle assembly
4	3400246-xxx	domed collar
5	5712154	cartridge nut
6	5711474	ceramic cartridge
7	3490111-xxx	spout assembly
8	3490112-xxx	eschutcheon assembly
9	5710241	fixing set
10	5700120	flexible hose (x2)
11	(*)	slotted clic-clac waste assembly tube

5663963 / 988M001W03

(\*)  
5710018 (625) / 3620030-xxx (other finishes)

(\*1)  
5710820 (625) / 3620275-xxx (other finishes)

dimensions inches

**note:** xxx stands for different finishes