

Date:

Client:

Project:

VOLA product: 112X

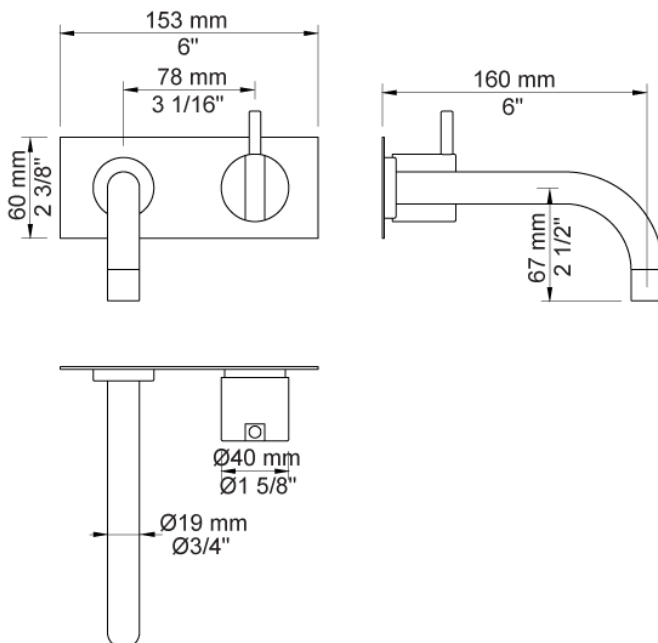


112X

One-handle build-in mixer with ceramic disc technology handle to the right.
 112X UP = Mixer 100X.
 112X AP = Handle NR28, 160 mm fixed spout 010, two-hole plate 60 x 153 mm 3002.

Flow

	Bar:	1,0	2,0	3,0	4,0	5,0
010	(l/min)	5,0	5,0	5,0	5,0	5,0



Available in colours

- Color 02, Grey
- Color 04, Light blue
- Color 05, Orange
- Color 06, Light green
- Color 08, Yellow
- Color 09, Dark grey
- Color 12, Mocca
- Color 14, Bright red
- Color 15, Dark blue
- Color 16, Polished chrome
- Color 17, Gloss black
- Color 18, White
- Color 19, Natural brass
- Color 20, Brushed chrome
- Color 21, Carmine red
- Color 25, Pink
- Color 27, Matt black
- Color 40, Brushed stainless steel



Date:

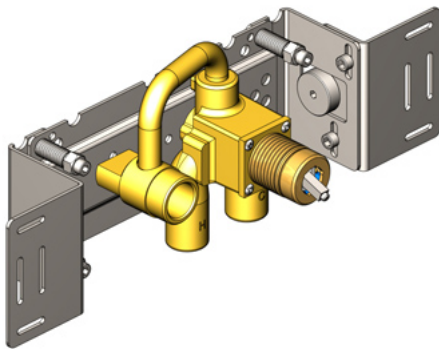
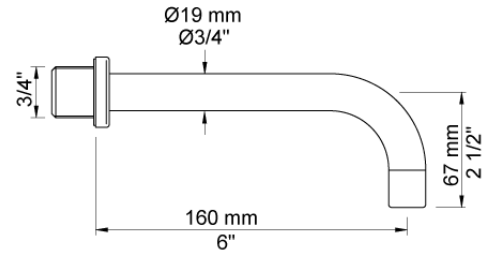
Client:

Project:

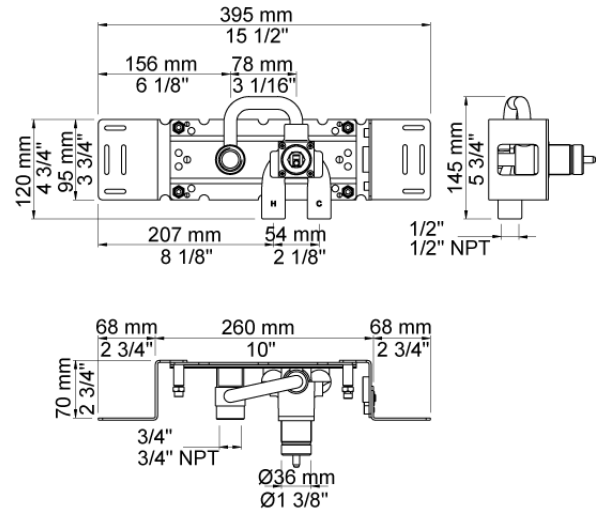
VOLA product: 112X



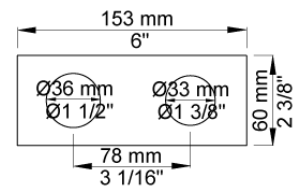
010
160 mm fixed spout with water saving aerator.



100X
One-handle build-in mixer with fixed outlet socket, mixer to the right. 1/2" connection to copper, steel, iron or pex pipe work.



3002
Two-hole plate, 60 x 153 mm.
Holes Ø36 and Ø33 mm.



Date:

Client:

Project:

VOLA product: 112X



NR28
 Operating handle for 100, 200, 300, 400 incl. variants.
 Ø40 mm.

