

SPECIFICATIONS

BANNOCKBURN™ TWO HANDLE MINI-WIDESPREAD LAVATORY FAUCET

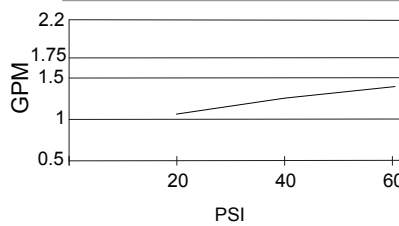
Model

D303056

Description

- Ceramic disc valves
- 5 1/8" high spout, 4 1/8" spout length, laminar flow
- With metal touch down drain assembly
- 3 hole mount, 4" - 12" installation
- 1.5gpm(5.7L/min) maximum flow rate @60 psi

Flow Rate



Standards



NSF/ANSI 372

• NSF/ANSI 372

MEETS ASME A112.18.1M/A112.18.1

• ASME A112.18.1M/A112.18.1



Finishes Available

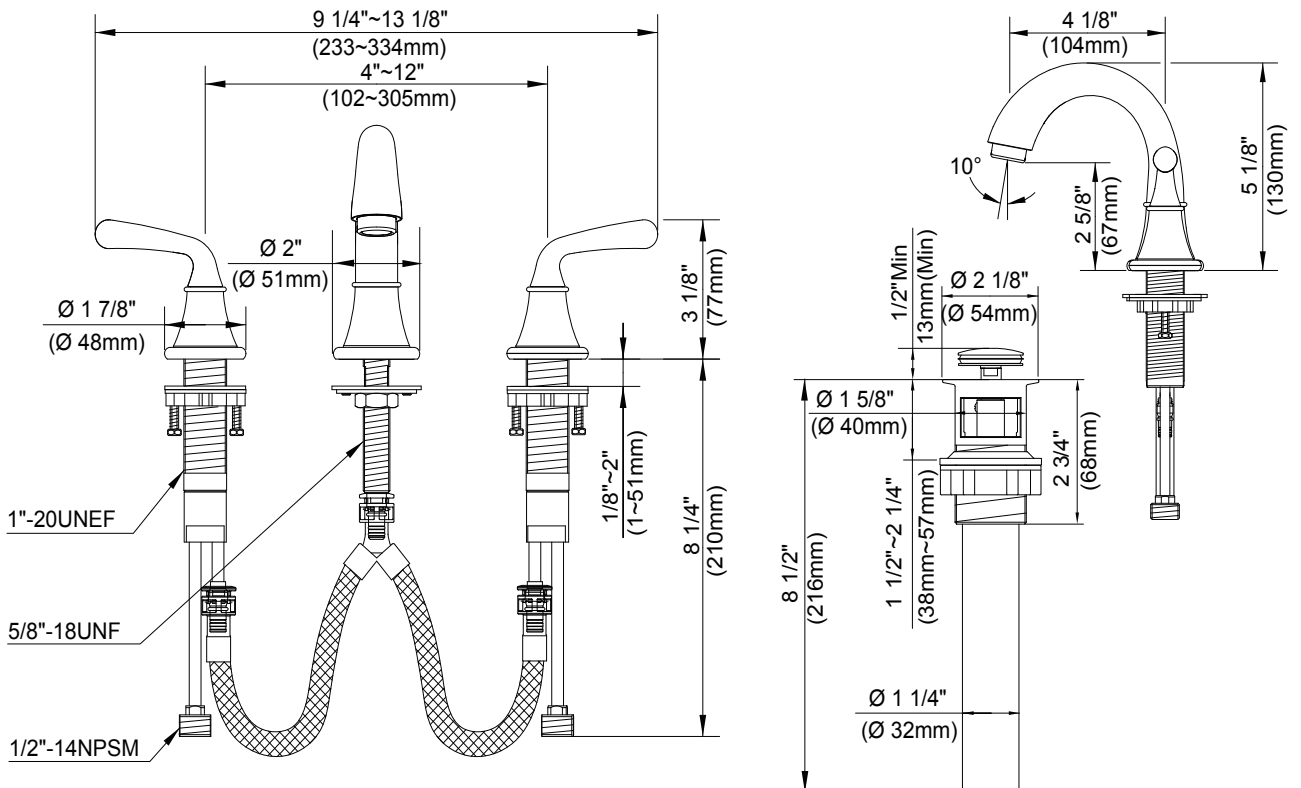
- Chrome
- Other: Refer to Price List for additional finish



- ADA Accessibility Guidelines for Buildings and Facilities - 309.4 Operation and Operable Parts

Warranty

Danze products are covered by a manufacturer's limited "lifetime" warranty for manufacturing defects.



Submittal Information:

Job Name: _____
 Contractor: _____

Location: _____
 Contact #: _____