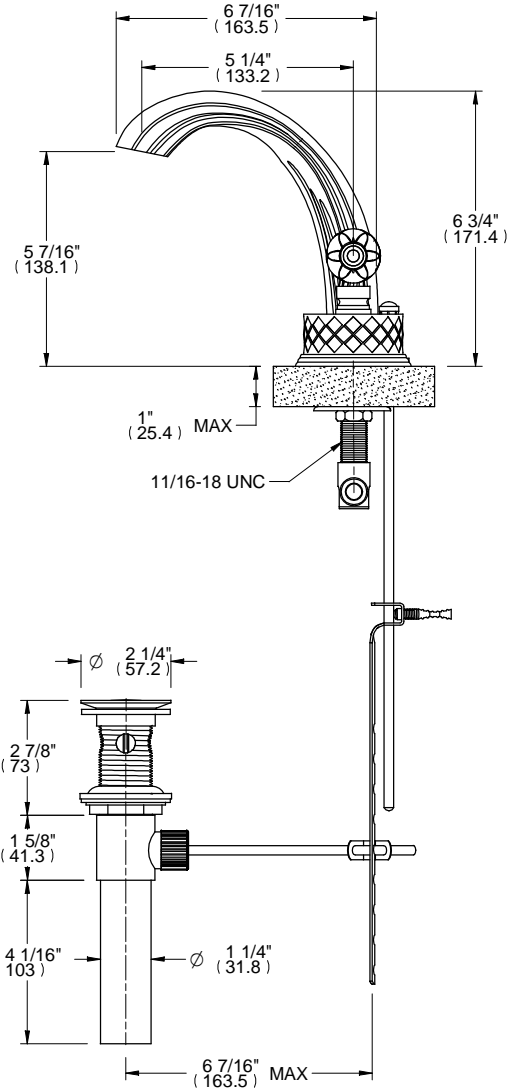
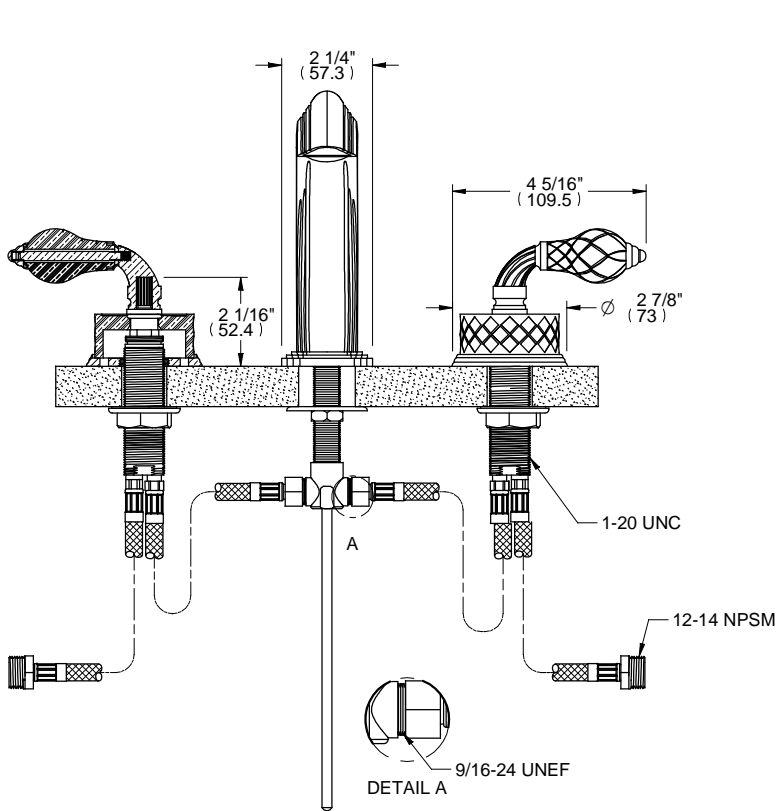


L1



ALTMANS RESERVES THE RIGHT TO MODIFY AND CHANGE SPECIFICATIONS AT ANY TIME. PLEASE VERIFY DIMENSIONS PRIOR TO INSTALLATION.

Features

- Available in All Finishes
- Low Lead Brass Construction
- 1/4 Turn Ceramic Disc Cartridge

Through-Hole Specifications

- Spout: $\varnothing 1\frac{1}{4}"$ Max.
- Valve: $\varnothing 1\frac{1}{4}"$ Max.

DIMENSIONS SHOWN TO NEAREST 1/16"