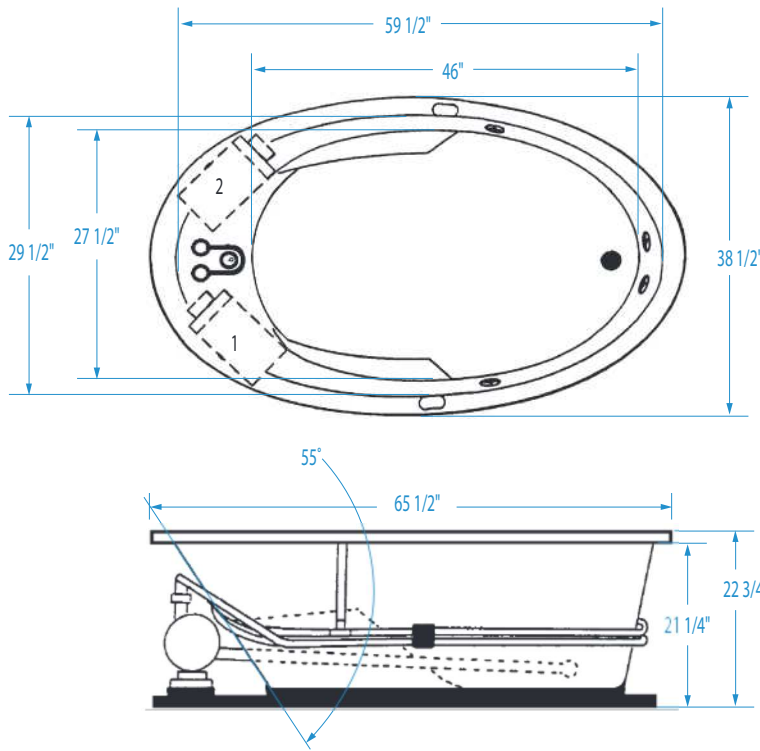


# POINT REYES, JR.

65 1/2 x 38 1/2 x 22 3/4 (1660 x 980 x 580)  
inches (mm)



**FEATURES** lbs (kg) Dimensional Tolerance ± 3/8". Dimensions needed for site preparation should be measured from the unit. Aquatic assumes no responsibility for preparatory work.

Type and Model #	Material	Jets	Pump	Heater	Controls	Drain	Pkg. Wt.
Whirlpool #A166400	Acrylic	7	1.75 HP	1.5 kw Inline (optional)	Electronic	Universal	230 (105)

## DIMENSIONS inches (mm)

Width Overall / Net	Depth Overall / Net	Height Overall / Net	Skirt Height
65 1/2 (1660)	38 1/2 (980)	22 3/4 (580)	-

## SUMP DATA inches (mm)

Capacity to Overflow gal (ltr)	Min. Operating Capacity gal (ltr)	WIDTH @ centerline		DEPTH @ centerline	
		Top	Bottom	Top	Bottom
79 (299)	60 (227)	59 1/2 (1510)	46 (1170)	29 1/2 (750)	27 1/2 (700)

## PLUMBING DIMENSIONS inches (mm)

A	B	Drain Diameter / Clearance
3 3/4 (95)	11 1/4 (285)	2 (50) / 7/8 (20)

## ELECTRICAL DATA

Component	Specification	Requirement
Pump	1.75 HP; 12 AMP; 120V	15 AMP; 120V, separate circuit; Class A GFCI
Optional Heater	1.5 kW; 12 AMP; 120V	15 AMP; 120V, separate circuit; Class A GFCI

**NOTES:**

1) Where applicable, utilize cut-out templates packed with unit for deck cutouts.

2) 16 x 16 (405 x 405) minimum access required at pump/blower location(s).

**NOTE:**

1) This whirlpool must be hard wired to the breaker box.