

Large Pendant Light 4586

Features

- Solid brass construction
- Twin bulb large pendant design, pivoting ceiling mount
- UL listed for damp locations
- Includes 60 watt compact flourescent lamp with 2-pin (GU24) base
- Complements Columnar product series

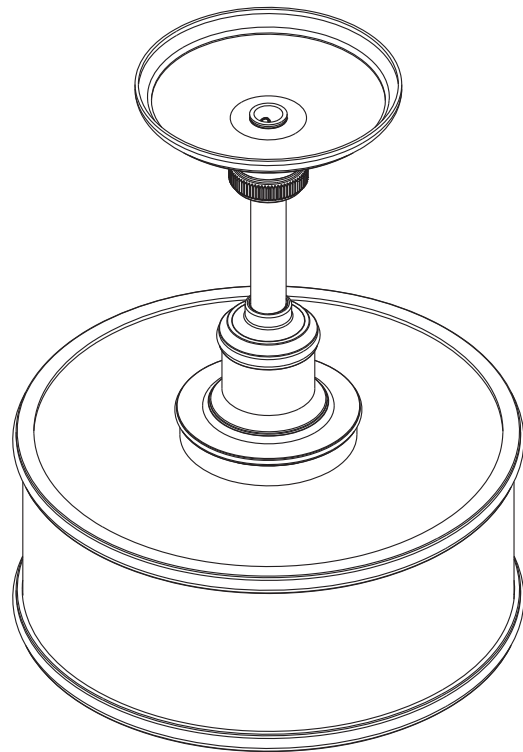
Codes / Standards Compliance

Meets or exceeds the following at date of manufacture:

- UL 1598
- All applicable US Federal and State material regulations

Colors / Finishes

- ORB: Oil Rubbed Bronze
- PC: Polished Chrome
- PN: Polished Nickel
- SN: Satin Nickel
- Other: NA



Specified Model

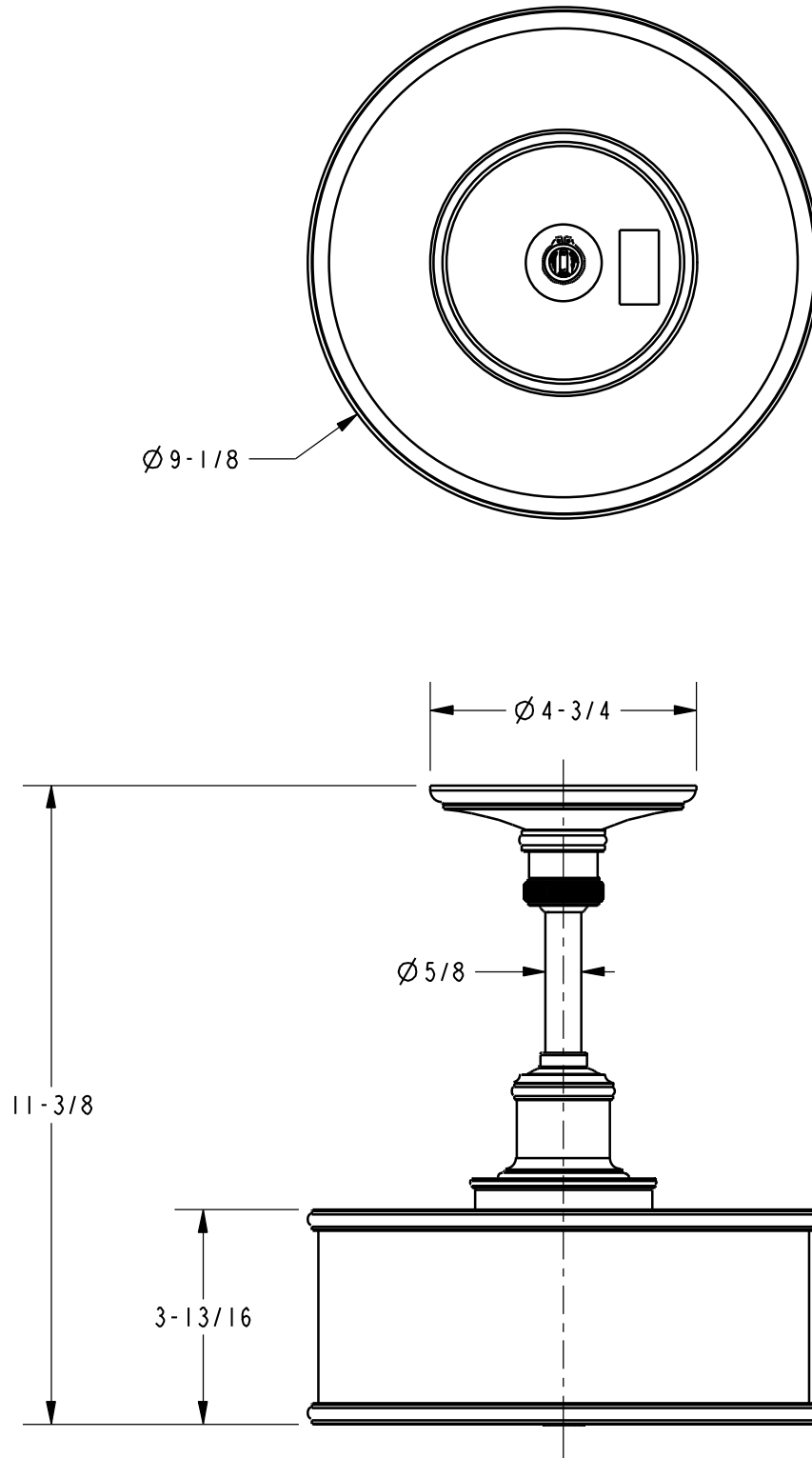
Model	Description	Colors Finishes
4586	Large Pendant Light, Satin-Etched Glass	<input type="checkbox"/> ORB <input type="checkbox"/> PC <input type="checkbox"/> PN <input type="checkbox"/> SN
4586-G-E	Replacement Glass Shade, Satin-Etched Glass	

Product Specification: Add glass type designator and "Color / Finish" suffix to Model number, below.

The Large Pendant Light shall incorporate solid brass construction and a satin-etched glass shade. Large Pendant Light shall include a 60 watt compact flourescent lamp with 2-pin (GU24) base. Large Pendant Light shall complement Ginger Columnar product series. Large Pendant Light shall be Ginger Model 4586/____.

4586

Product Dimensions *(units are in inches)*



Columnar Large Pendant Light 4586