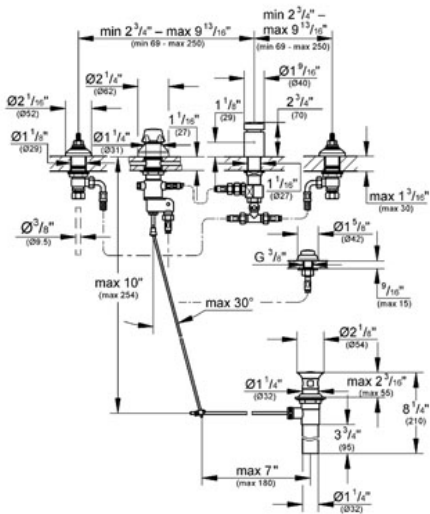


ARDEN  
3-Hole Bidet Mixer  
MODEL # 24015

Pure Freude an Wasser



GROHE America, Inc | 200 North Gary Avenue, Suite G, Roselle, IL 60172  
Phone: +1 (800) 444-7643 | Fax: +1 (800) 225-2778 | us-customerservice@grohe.com



**Product Description:**  
3-Hole Bidet Mixer

**Standard Specification:**

- GROHE StarLight® finish
- GROHE SilkMove®
- Handles sold separately
- Rim flush/bidet spray
- Solid brass body
- Vacuum breaker
- Combination transfer valve/pop-up lift rod
- Less handles – order (18 083) or (18 084) (sold separately)

**Applicable Codes & Standards:**

- Energy Policy Act of 1992
- ASME A112.18.1/CSA B125.1

**Color:**

- 24015 000 chrome
- 24015 EN0 Brushed Nickel

