

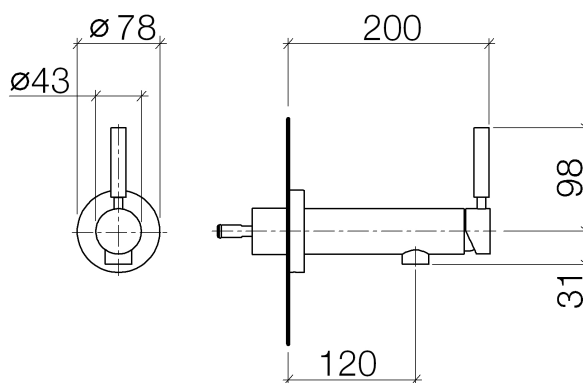


Product specifications

Exposed trim parts only, rough to be ordered separately

- 7 1/2" overall length
- **4 3/4" projection**
- M 22 x 1 aerator – female thread
- Ceramic disc cartridge
- Water flow rate limited to max. 1.5 gpm
- low lead compliant
- Flange diameter 3 1/8"

[ADA]



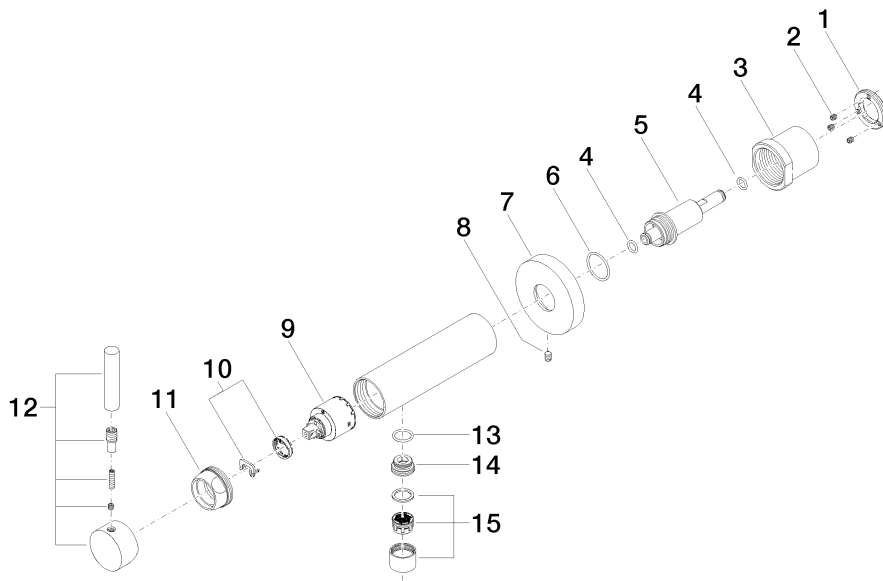
Surfaces

- | | |
|-----------------|-----------------|
| • chrome | 36803885-000010 |
| • chrome | 36803885-000010 |
| • matt platinum | 36803885-060010 |
| • matt platinum | 36803885-060010 |

Accessories required

- Rough; 35003970
- Rough; 35003970

Exploded assembly drawing



Order quantity

No.	Article number	Name	Installation quantity
1	09247700290	nut	1
2	09311103090	pin	1
3	09210212890	sleeve	1
4	09141013990	seal	2
5	0924042101090	nipple	1
6	09141006390	seal	1
7	092788009ff	rosette	1
8	09311104790	pin	1
9	09150506190	cartridge	1
10	0428101480090	accessories	1
11	092404107ff	nut	1
12	90208804600ff	handle	1
13	09141004790	seal	1
14	0924041521090	nipple	1
15	90230102405ff	aerator	1

