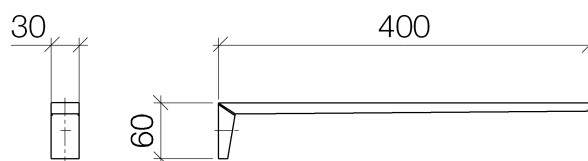




### Product specifications

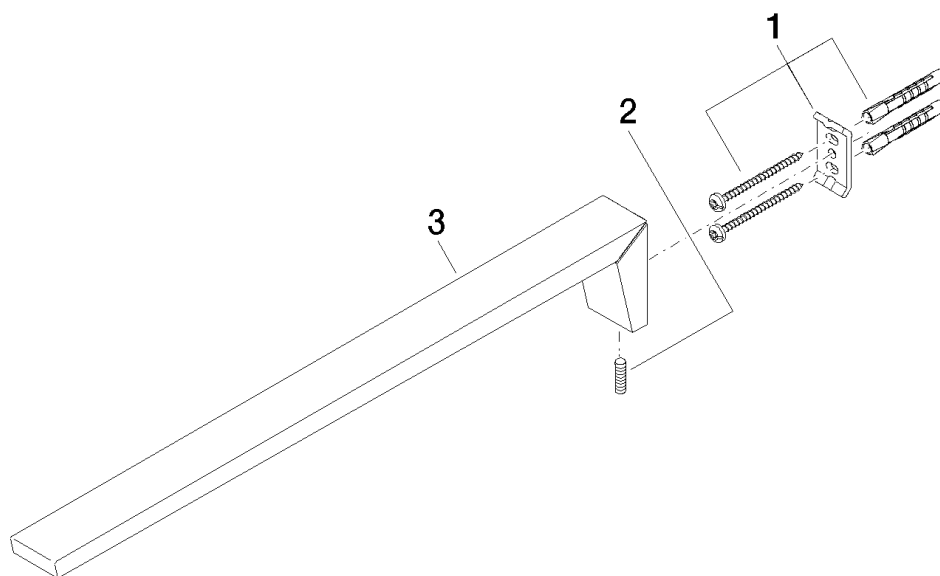
- Height 2 3/8"
- Width 1 1/8"
- 15 3/4" projection



### Surfaces

- |             |             |
|-------------|-------------|
| • chrome    | 83211730-00 |
| • chrome    | 83211730-00 |
| • champagne | 83211730-47 |
| • champagne | 83211730-47 |

**Exploded assembly drawing**



**Order quantity**

<b>No.</b>	<b>Article number</b>	<b>Name</b>	<b>Installation quantity</b>
<b>1</b>	0517207360090	fixing set	1
<b>2</b>	09311111390	pin	1
<b>3</b>	05177355400ff	holder	1