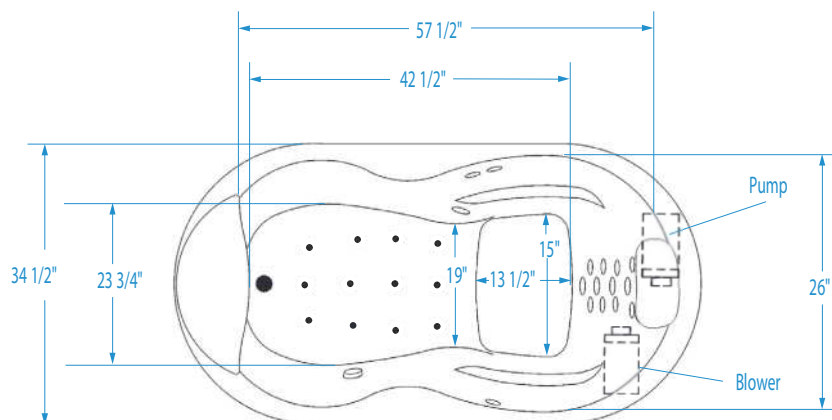


## INFINITY 9

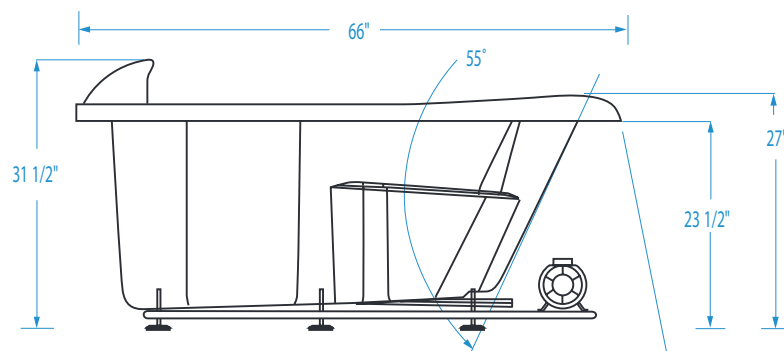
66 x 34 1/2 x 31 1/2 (1675 x 875 x 800)  
inches (mm)



Not a drop-in model. Deck must be built around unit.  
This unit has a 3/4" female waterfall fill spout connection.

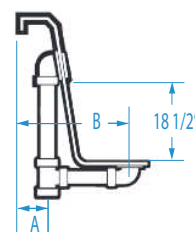


No alternate pump location available.



Note: Infinity 9 is not a drop in model.  
A deck must be built around the tub.

NOTE: Please allow for plumbing to  
extend approx. 3" beyond tub rim.



**FEATURES** lbs (kg) Dimensional Tolerance ± 3/8". Dimensions needed for site preparation should be measured from the unit. Aquatic assumes no responsibility for preparatory work.

Type and Model #	Material	Jets	Pump	Air System	Blower	Heater	Controls	Drain	Pkg. Wt.
Air-whirlpool #A19INF6636A	Acrylic	16	1.75 HP	Injector	Variable speed	1.5 kw Inline	Electronic	Universal	289 (131)

### DIMENSIONS inches (mm)

Width Overall / Net	Depth Overall / Net	Height Overall / Net	Skirt Height
66 (1675)	34 1/2 (875)	31 1/2 (800) / 23 1/2 (595)	-

### SUMP DATA inches (mm)

Capacity to Overflow gal (ltr)	Min. Operating Capacity gal (ltr)	WIDTH @ centerline		DEPTH @ centerline	
		Top	Bottom	Top	Bottom
89 (335)	65 (246)	57 1/2 (1460)	42 1/2 (1080)	26 (660)	23 3/4 (605)

### PLUMBING DIMENSIONS inches (mm)

A	B	Drain Diameter / Clearance
2 1/2 (65)	8 3/4 (220)	

### ELECTRICAL DATA

Component	Specification	Requirement
Pump	1.75 HP; 12 AMP; 120 V	15 AMP 1 pole, separate circuit, Class A GFCI
Inline Heater	1.5 kW; 12.5 AMP; 120 V	15 AMP 1 pole, separate circuit, Class A GFCI
Blower	1.0 HP; 9.5 AMP; 120 V	15 AMP 1 pole, separate circuit, Class A GFCI

#### NOTES:

1) Where applicable, utilize cut-out templates packed with unit for deck cutouts.

2) 16 x 16 (405 x 405) minimum access required at pump/blower location(s).