

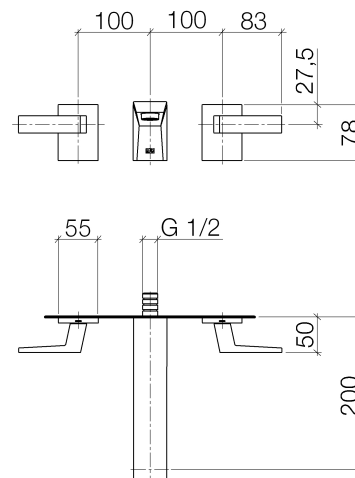


Product specifications

Exposed trim parts only, rough to be ordered separately

- **7 7/8" projection**
- Fixed spout 1/2"
- M 24 x 1 aerator – male thread
- 2x xControl ceramic disc cartridges, stem can be cut to length 1/2"
- Water flow rate limited to max. 1.5 gpm
- low lead compliant
- 3 1/8" x 2 1/8" flange
- **Spout in center, handle arrangement symmetrical**

[ADA]





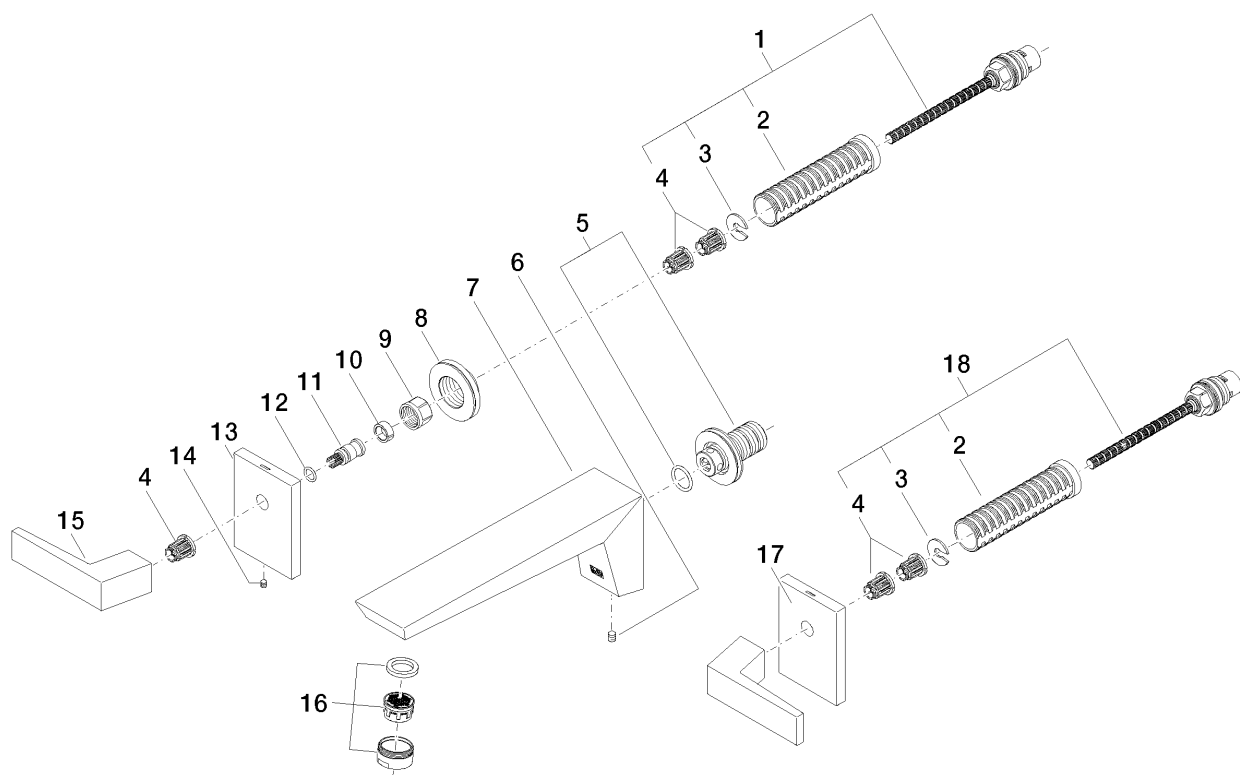
Surfaces

- chrome 36707732-000010
- chrome 36707732-000010
- champagne 36707732-470010
- champagne 36707732-470010

Accessories required

- Rough, spout in the center; 35707970
- Rough, spout in the center; 35707970
- Rough, flexible positioning; 35712970
- Rough, flexible positioning; 35712970

Exploded assembly drawing



Order quantity

No.	Article number	Name	Installation quantity
1	0490031570090	top	1
2	09184007790	sleeve	2
3	09160102690	ring	2
4	09121200290	fixing cap	6
5	9024031080090	nipple set	1
6	09311100490	pin	1
7	09197300310ff	spout	1
8	09210210890	disc	2
9	09233002390	nut	2
10	09141502090	ring	2
11	092906020ff	spindle	2
12	09141006090	seal	2
13	092773008ff	rosette	1
14	09311100790	pin	2
15	092073201ff	handle	2
16	90230111803ff	aerator	1
17	092773007ff	rosette	1
18	0490031560090	top	1

