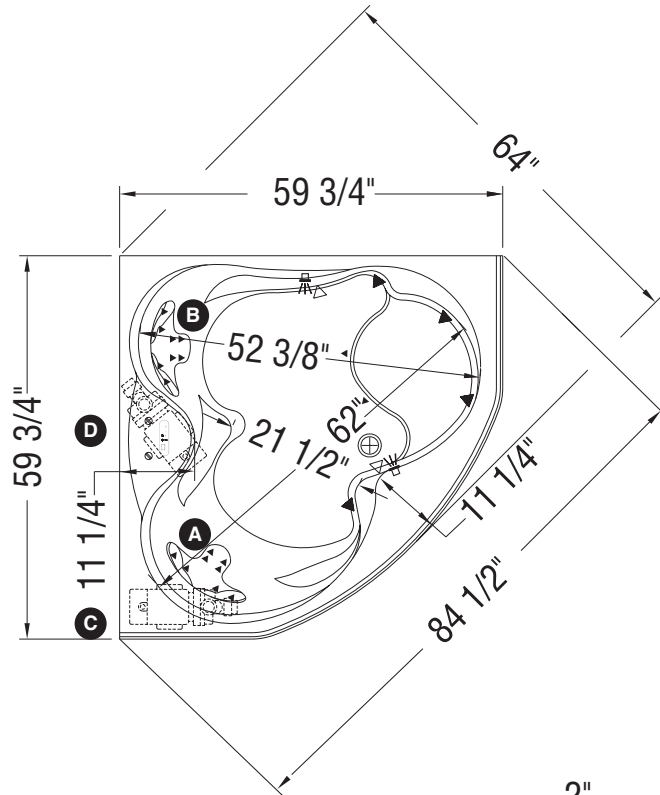
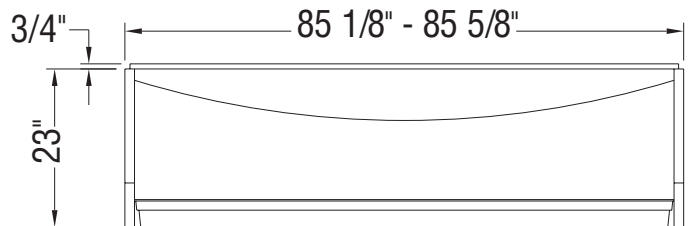
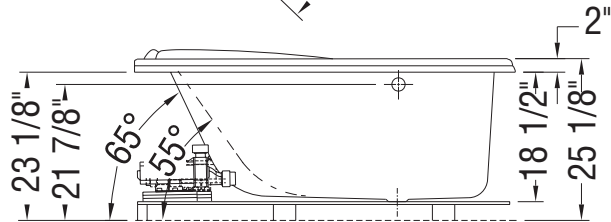
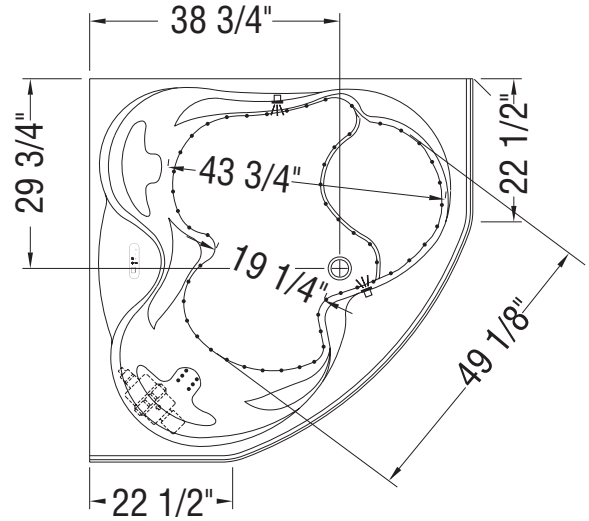


WHIRLPOOL SYSTEM



AIR SYSTEM



- (▲) : Indicates whirlpool jets positioning
- (△) : Indicates suction positioning
- (●) : Indicates airjets positioning
- (☼) : Indicates chromatherapy light positioning

- (A) : Location of the Backmax system
- (B) : Location of an additional Backmax system
- (C) : First pump location
- (D) : Location of additional pump when equipped with additional Backmax system

Bathtub base includes anti-vibration Neutra-Phone leg supports (not shown).

All dimensions are approximate. Structure measurements must be verified against the unit to ensure proper fit.