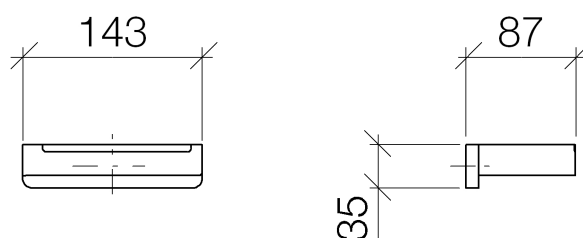




### Product specifications

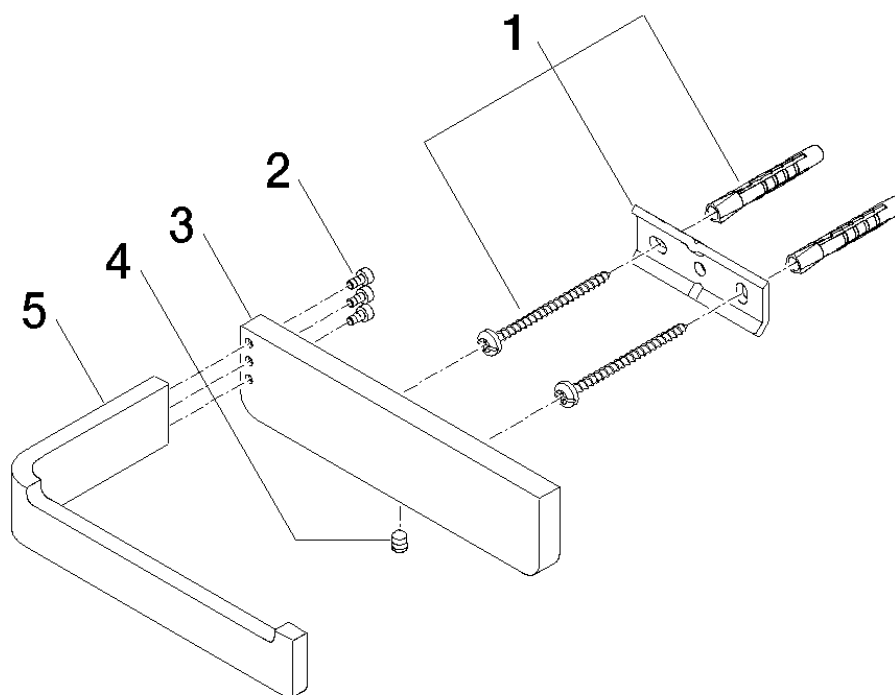
- Width 5 1/2"
- 3 3/8" projection



### Surfaces

- |                 |             |
|-----------------|-------------|
| • chrome        | 83500710-00 |
| • chrome        | 83500710-00 |
| • matt platinum | 83500710-06 |
| • matt platinum | 83500710-06 |

**Exploded assembly drawing**





**Order quantity**

<b>No.</b>	<b>Article number</b>	<b>Name</b>	<b>Installation quantity</b>
1	0517207180090	fixing set	1
2	9030300590090	screw	1
3	081771505ff	holder	1
4	09311111290	pin	1
5	081771555ff	holder	1