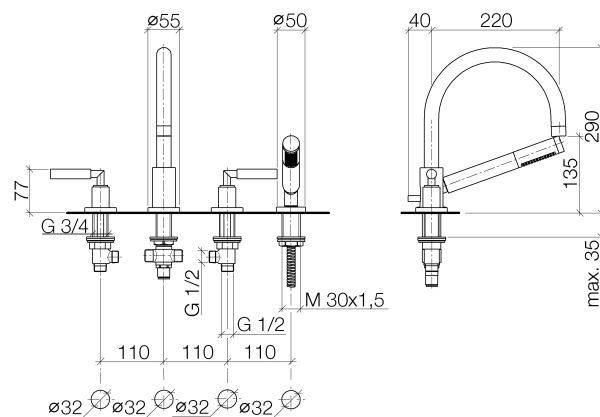




Product specifications

- **8 5/8" projection**
 - M 22 x 1 aerator – female thread
 - Back flow preventer in shower outlet
 - 1/2" deck valves with ceramic disc cartridges
 - Automatic diverter
 - Hand shower with descaling system and back flow preventer
 - Metal shower hose 88 5/8", consisting of 1 pc. 19 5/8" chrome plated metal hose and 1 pc. 68 7/8" flex line
 - Flange for hand shower diameter 2"
 - Flange spout / deck valve \varnothing 2 1/8"
 - Hole diameter spout / valve 1 1/4"
 - Hand shower hole diameter 1 1/4"
 - 2x 1/2" x 1/2" x 15 3/4" high pressure hose
 - 20° x 1/2" x 1/2" angle
 - Shower hose guide
 - Hand shower water flow rate limited to max. 2.38 gpm
- Spout projections 10 1/4" or 11 7/8" on request.



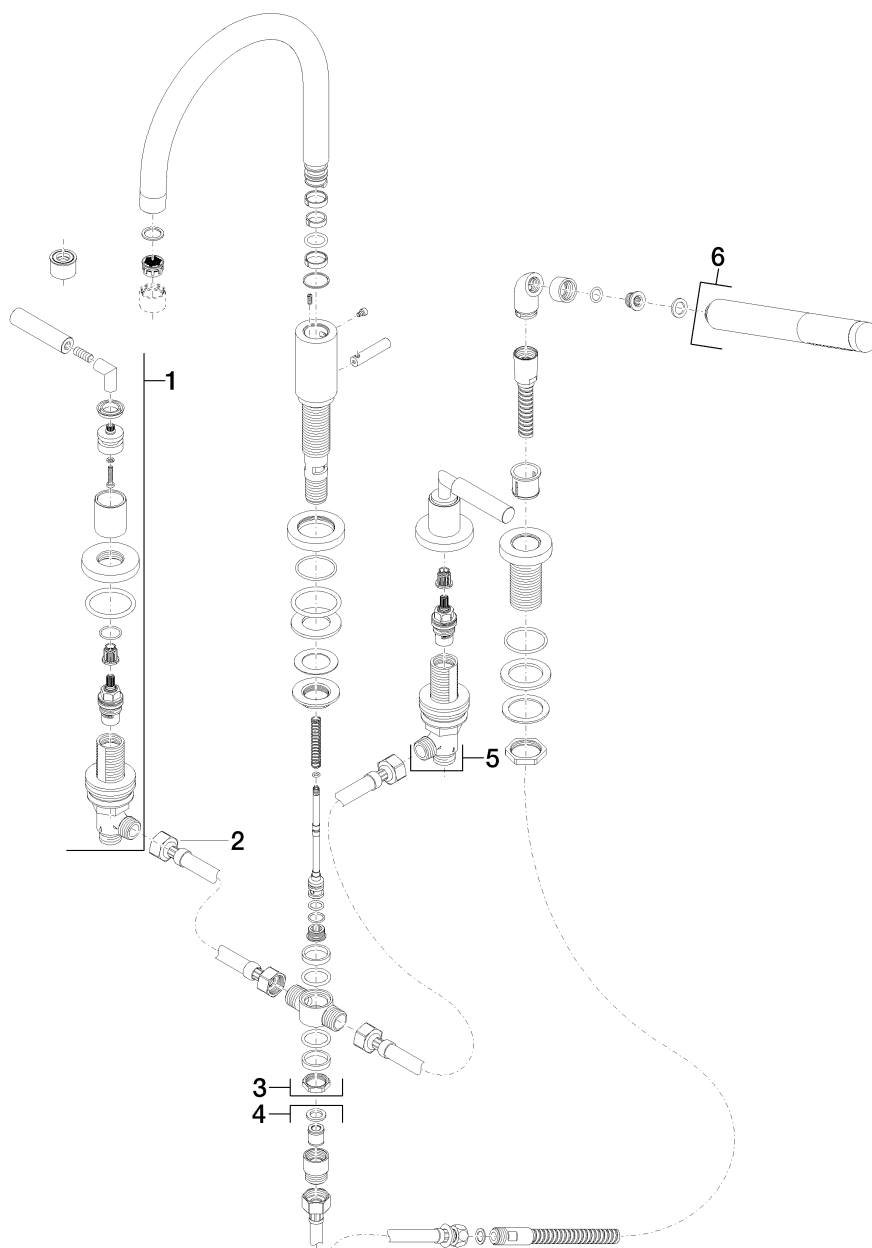
...

Internal backflow preventer.

Surfaces

- chrome 27512882-00
- chrome 27512882-00
- matt platinum 27512882-06
- matt platinum 27512882-06
- platinum 27512882-08
- platinum 27512882-08
- matt white 27512882-10
- matt white 27512882-10
- matt black 27512882-33
- matt black 27512882-33

Exploded assembly drawing



Order quantity

No.	Article number	Name	Installation quantity
1	20000882ff	side panel	1
2	1250297090	hose	1
3	13512892ff	spout	1
4	27702979ff0010	shower set	1
5	20000883ff	side panel	1
6	28010979ff0010	shower	1

