

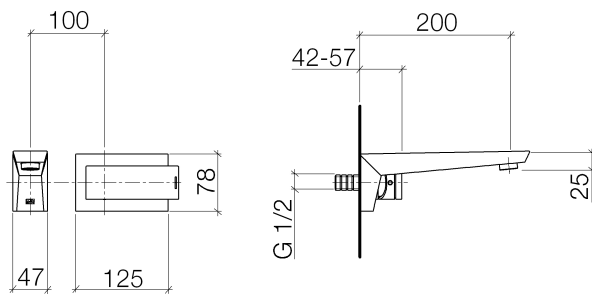


Product specifications

Exposed trim parts only, rough to be ordered separately

- **7 7/8" projection**
- Fixed spout 1/2"
- M 24 x 1 aerator – male thread
- Spout hole diameter 1 3/8"
- Hole diameter single-lever mixer 1 1/4"
- Water flow rate limited to max. 1.5 gpm
- low lead compliant
- Flange for mixer 3 1/8 x 4 7/8"

[ADA]



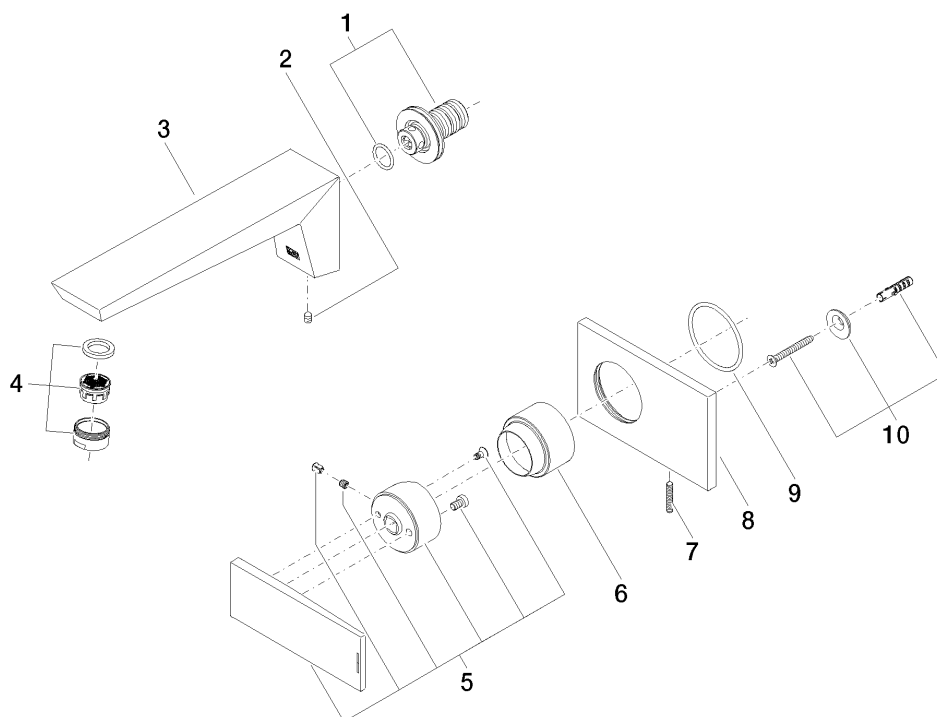
Surfaces

- | | |
|-------------|-----------------|
| • chrome | 36812730-000010 |
| • chrome | 36812730-000010 |
| • champagne | 36812730-470010 |
| • champagne | 36812730-470010 |

Accessories required

- Rough, mixer above; 35808970
- Rough, mixer above; 35808970

Exploded assembly drawing



Order quantity

No.	Article number	Name	Installation quantity
1	9024031080090	nipple set	1
2	09311100490	pin	1
3	09197300210ff	spout	1
4	90230111803ff	aerator	1
5	90207304301ff	handle	1
6	091102021ff	cover	1
7	09311112990	pin	1
8	091101173ff	plate	1
9	09141004990	seal	1
10	0517207370090	fixing set	1

