

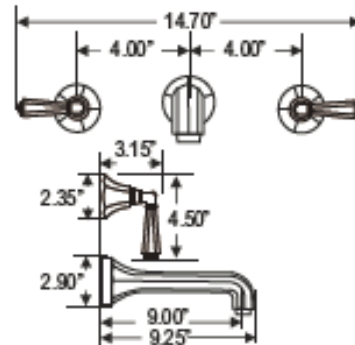


NSF/ANSI 61

ASME A112.18.1/CSA  
B125. 1-11

### Codes and Standards

- NSF/ANSI 61
- ASME A112.18.1/CSA B125. 1-11
- IAPMO US AND CANADA
- ADA



ALTMANS RESERVES THE RIGHT TO  
MODIFY AND CHANGE SPECIFICATIONS  
AT ANY TIME. PLEASE VERIFY DIMEN-  
SIONS PRIOR TO INSTALLATION

### Color/Finishes

- Polished Chrome, PVD Satin Nickel
- Refer to pricelist for other finishes.

### Features and Benefits

- Brass Construction
- Flexible Connections
- 1/4 Turn Ceramic Disc Cartridges
- Includes 1/B4 No overflow grid Drain
- Includes valve 0WL8