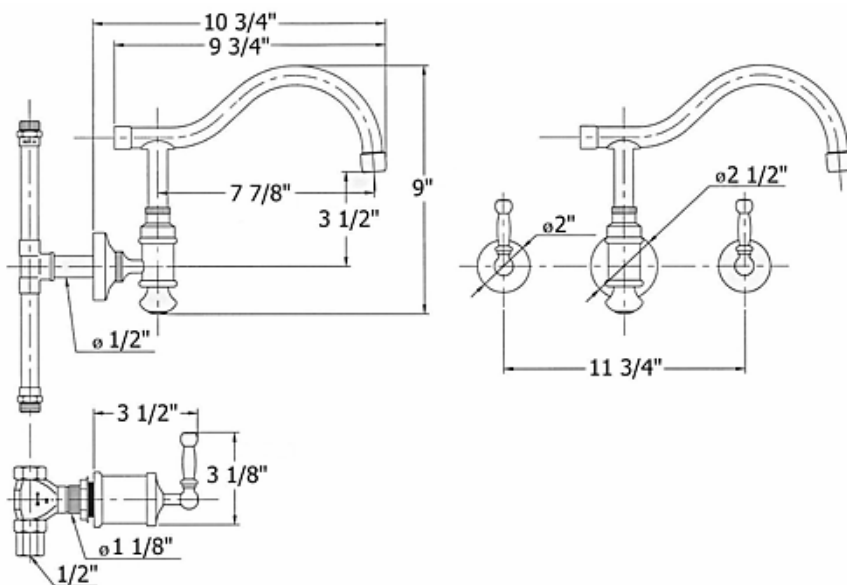


# 2401 – 'Correze' Three Hole Mixer Wall Mounted



## Technical Information

- Flow rate is 2.2 GPM
- Available finishes are Polished Nickel(**56**), Brushed Nickel(**57**), Polished Copper & Brass(**58**), Weathered Copper & Brass(**59**) and Satin Nickel(**60**)
- Please see cleaning instructions for finish care and maintenance information.
- ½" wall valves

Please follow example when ordering parts for 'Correze' Mixer.

- To order part#16 – **Handle Screw**
  - **9240116xx**
- Please substitute finish number needed in place of **xx**.
- To order a part that is not finished use **00**

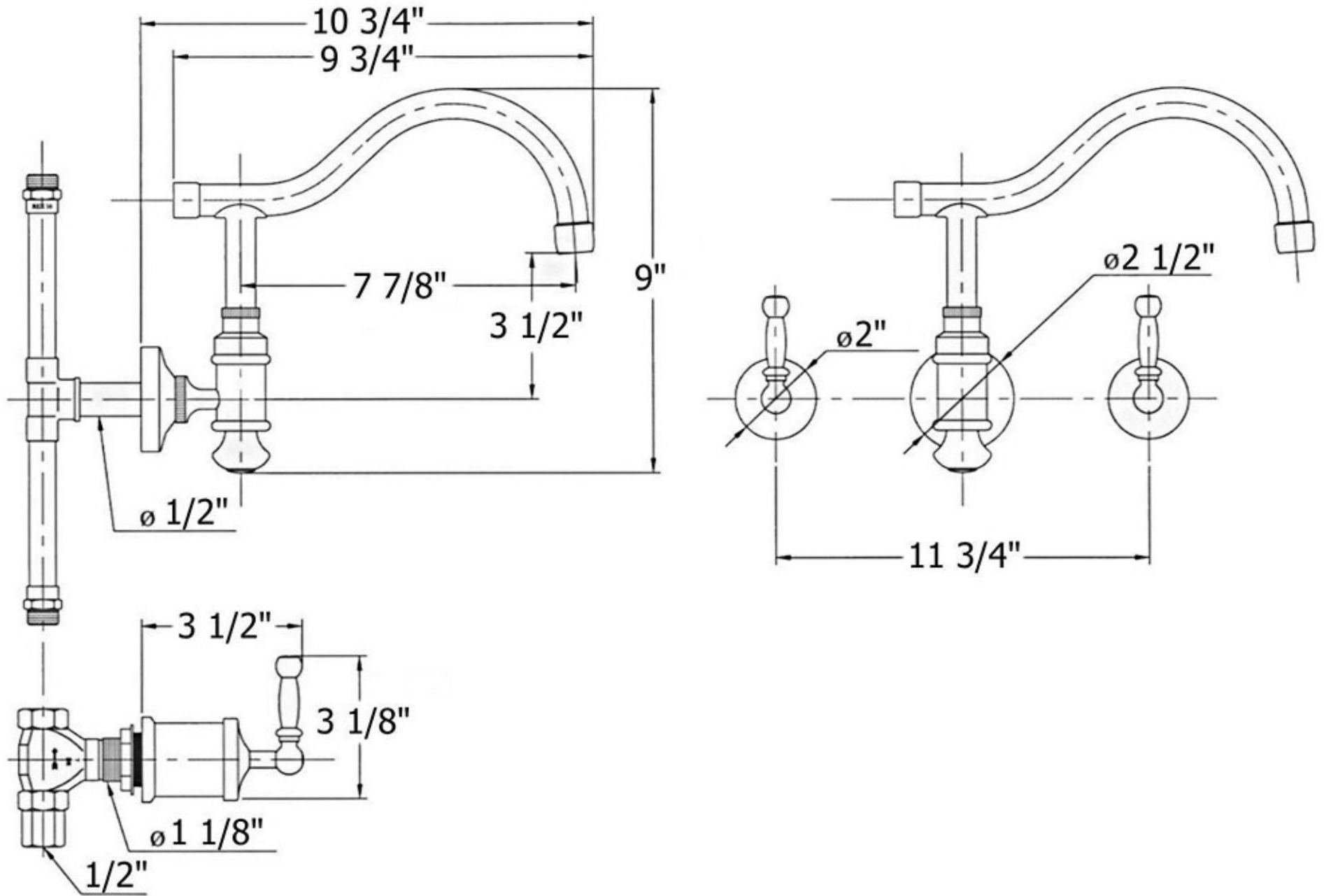
## Part # Description

01	Spout
02	Spout Washer
03	Aerator Filter
04	Aerator Cover
05	Nylon Clip
06	Rubber O-rings
08	Spout Elbow
09	Spout Wall Escutcheon
10	Threaded Stem
11	Copper 'T' Connection
12	Threaded Stem
13	Wood Knob
14	Brass Screw
15	Ceramic Insert
16	Handle Screw
17	Wood Handle
18	Handle Screw
19	Brass Dome
20	Handle Stem
21	Threaded Stem
22	Trim Housing
23	Rubber O-ring
24	Brass Nut
25	Cartridge Extension
26	Hot Cartridge
27	Cold Cartridge
28	½" Adapter
29	Valve Body

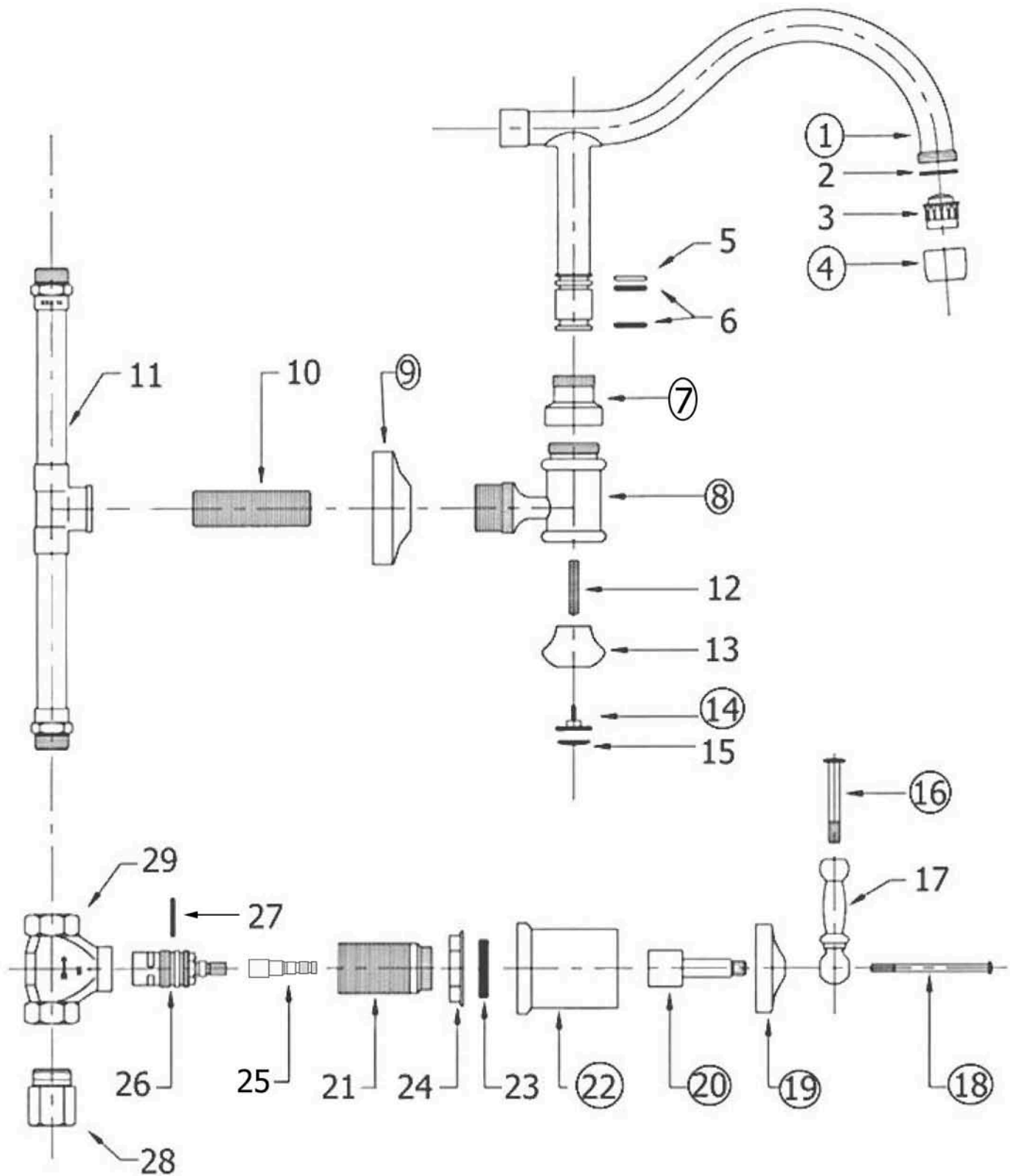


**Herbeau**  
L'Art du Sanitaire depuis 1857

# 2401 - 'Correze' Three Hole Mixer Wall Mounted



# 2401 - 'Correze' Wall Mounted Three Hole Mixer



○ - Finished Pieces