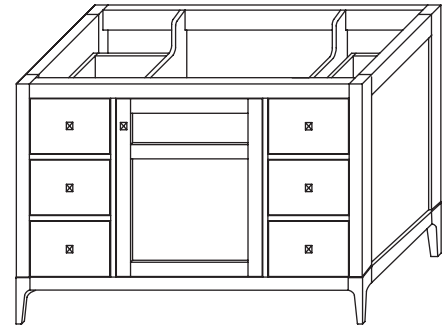
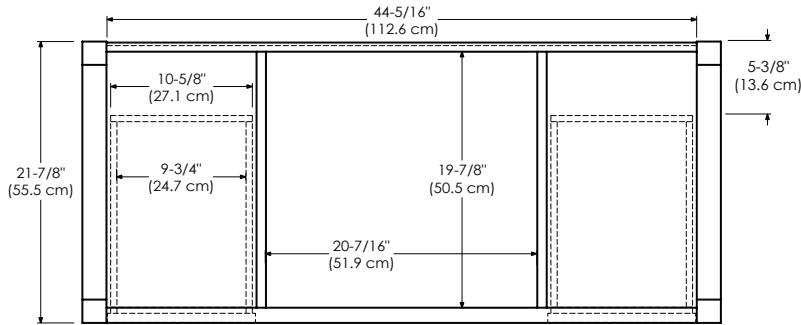


- Soft Close Wood doors
- Soft close and Full Extension drawers with Dovetail construction
- Under mount glides
- Extend design with optional 12" Drawer bridge
- Matching finish throughout the interior
- Optional Drawer Organizer
- Matching Mirror, Medicine Cabinet and Wall Cabinet

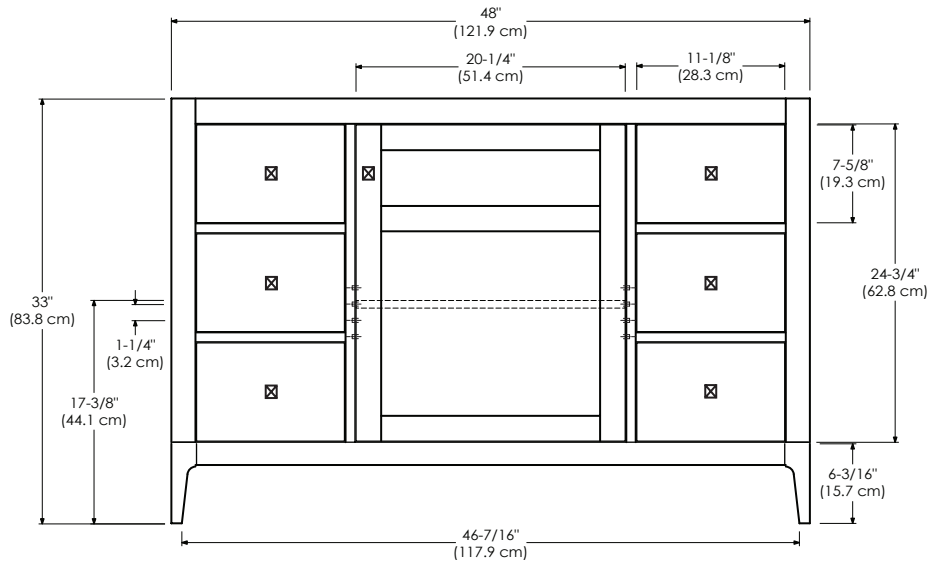
All Ronbow cabinets are made of solid hardwood or hardwood plywood and meet strict CARB Standards. No particle Board or Micro-Density Fiberboard (MDF) are used.

- |                     |                 |
|---------------------|-----------------|
| Available finishes: | Available tops: |
| AMERICAN WALNUT E56 | CERAMIC SINKTOP |
| OCEAN GRAY F21      | STONE COUNTER   |
| VINTAGE HONEY R01   | TECHSTONE™ TOP  |
| WHITE W01           | WIDEAPPEAL™ TOP |

TOP VIEW



FRONT VIEW



SIDE VIEW

