

# ELKAY® SPECIFICATIONS

## Pacemaker® Single Bowl Sink No Faucet Ledge Models PFR2519 and PFRQ2519

### GENERAL

Fine quality sink bowl seamlessly formed of #20 gauge, type 304 (18-8) nickel bearing stainless steel. Self-rimming.

### DESIGN FEATURES

Bowl Depth: 7-1/4".

Coved Corners: 1-3/4" vertical and horizontal radius.

Bowl Recess: 3/16" below outside edge of sink.

Finish: Exposed surfaces are polished to a lustrous highlighted satin finish.

Underside: Fully undercoated to dampen sound and prevent condensation.

### OTHER

Drain Opening: 3-1/2".

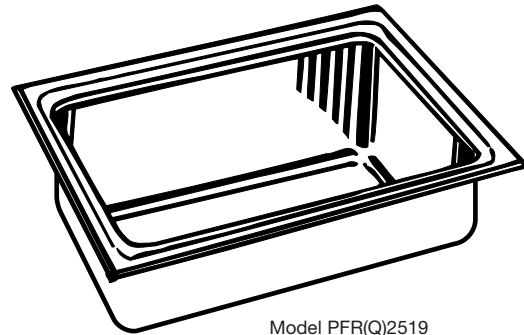
These sinks comply with ANSI Standard A112.19.3M.

### OPTIONAL ACCESSORIES

Rinsing Basket: LKRB1520 or LKERBSS.

Bottom Grid: LKBG2015.

Cutting Board: CB1516 or CB1713.

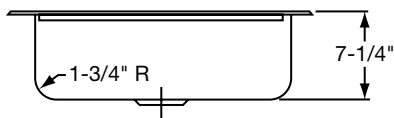
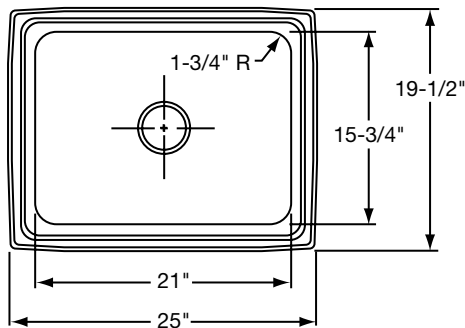


Model PFR(Q)2519

### SINK DIMENSIONS (INCHES)\*

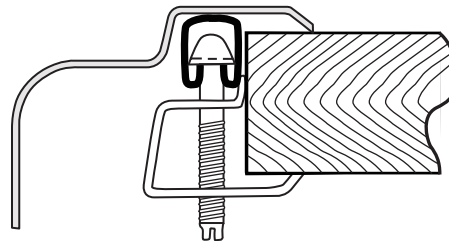
U-Channel Model Number	Quick-Clip® Model Number	Overall		Inside Bowl			Cutout in Countertop (1 1/2" Radius Corners)		Minimum Cabinet Size	Ship. Wt. Lbs.
		L	W	L	W	D	L	W		
PFR2519	PFRQ2519	25	19 1/2	21	15 3/4	7 1/4	24 3/8	18 7/8	30	16

\*Length is left to right. Width is front to back.

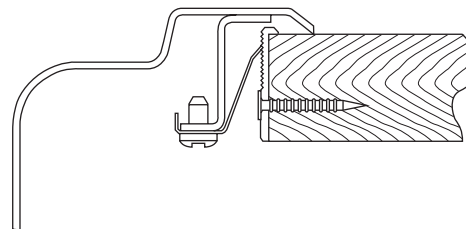


Model PFR2519 Illustrated

### U-Channel Type Mounting System



### Quick-Clip® Mounting System



ALL DIMENSIONS IN INCHES, TO CONVERT TO MILLIMETERS MULTIPLY BY 25.4.

In keeping with our policy of continuing product improvement, Elkay reserves the right to change product specifications without notice.

This specification describes an Elkay product with design, quality and functional benefits to the user. When making a comparison of other producers' offerings, be certain these features are not overlooked.