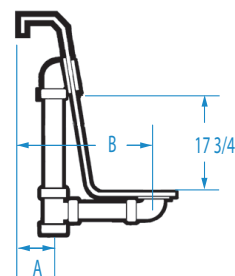
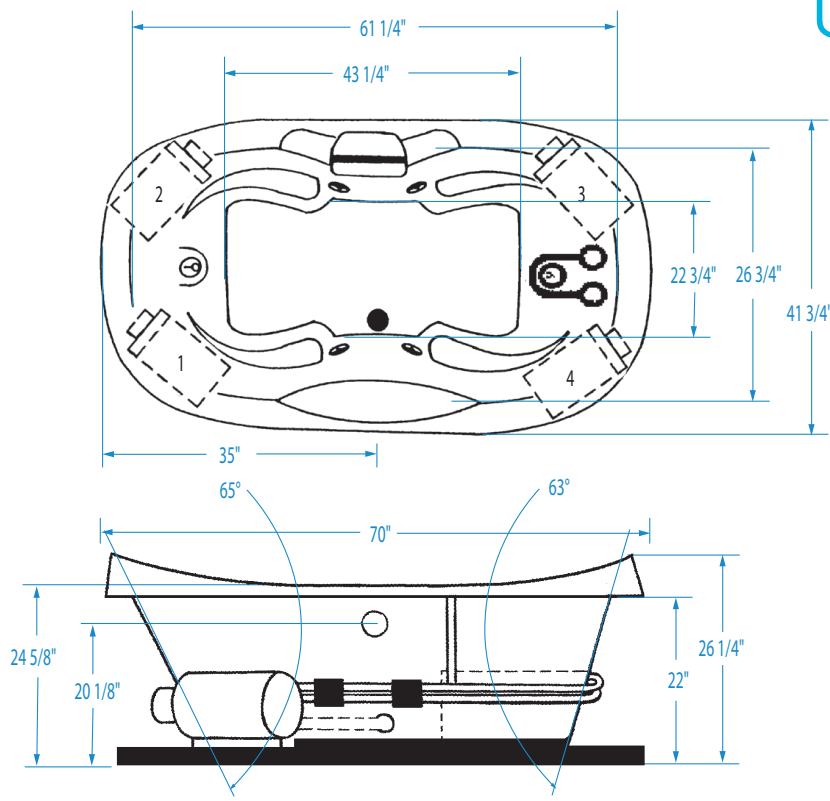


# UNIVERSAL OVAL

 70 x 41 3/4 x 26 1/4 (1780 x 1060 x 670)  
 inches (mm)

**FEATURES** lbs (kg)      Dimensional Tolerance  $\pm 3/8"$ . Dimensions needed for site preparation should be measured from the unit. Aquatic assumes no responsibility for preparatory work.

Type and Model #	Material	Jets	Pump	Air System	Blower	Heater	Controls	Drain	Pkg. Wt.
Soaker #AI7242RUOTO	Acrylic	0	-	-	-	-	-	Center Front	169 (77)
Whirlpool #AI7242RUO	Acrylic	8	1.75 HP	-	-	1.5 kw Inline (optional)	Electronic	Center Front	219 (99)
Air-Whirlpool #AI21LUX7042	Acrylic	8	1.75 HP	Channel	Variable speed	1.5 kw Inline	Electronic	Center Front	256 (115)

**DIMENSIONS** inches (mm)

Width Overall / Net	Depth Overall / Net	Height Overall / Net	Skirt Height
70 (1780)	41 3/4 (1060)	26 1/4 (670)	-

**SUMP DATA** inches (mm)

Capacity to Overflow gal (ltr)	Min. Operating Capacity gal (ltr)	WIDTH @ centerline		DEPTH @ centerline	
		Top	Bottom	Top	Bottom
95 (360)	76 (288)	61 1/4 (1555)	43 1/4 (1100)	26 3/4 (680)	22 3/4 (575)

**PLUMBING DIMENSIONS** inches (mm)

A	B	Drain Diameter / Clearance
6 1/2 (165)	13 1/4 (340)	2 (50) / 3/4 (20)

**NOTES:**

1) Where applicable, utilize cut-out templates packed with unit for deck cutouts.

2) 16 x 16 (405 x 405) minimum access required at pump/blower location(s).

**ELECTRICAL DATA**

Component	Specification	Requirement
Pump	1.75 HP; 12 AMP; 120V	15 AMP; 120V, separate circuit; Class A GFCI
Optional Heater	1.5 kW; 12 AMP; 120V	15 AMP; 120V, separate circuit; Class A GFCI
Blower	1.0 HP; 9.5 AMP; 120V	15 AMP; 120V, separate circuit; Class A GFCI

**NOTE:**

1) This whirlpool must be hard wired to the breaker box. Three outlets will be supplied on the air-whirlpool.