

Soft close and Full Extension drawers with Dovetail construction
 Under mount glides
 Matching finish throughout the interior
 Extend design with optional 12" Drawer Bridge
 Decorative drawer with glass side panels
 Optional Drawer Organizer and Motion Sensor LED Light
 Matching Mirror, Medicine cabinet and Wall cabinet
 One large drawer with hidden drawer

All Ronbow cabinets are made of solid hardwood or hardwood plywood and meet strict CARB Standards.
 No particle Board or Micro-Density Fiberboard (MDF) are used.

Available finishes:

BLUSH TAUPE E01

SLATE GRAY E12

GLOSSY WHITE E23

Available tops:

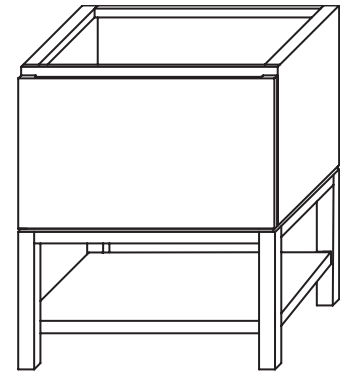
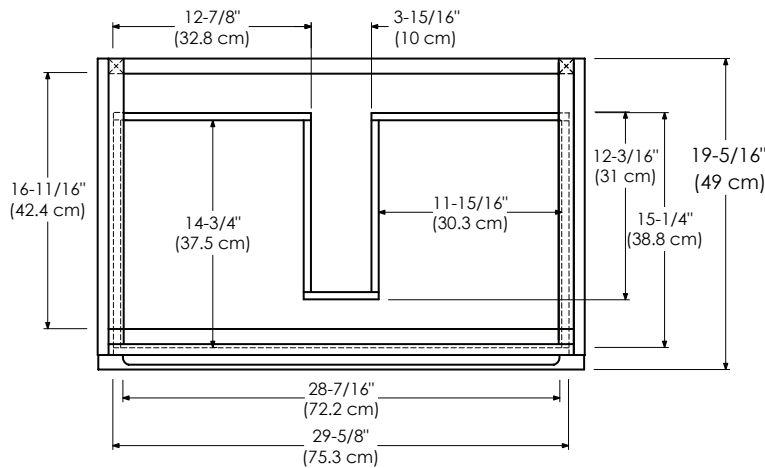
CERAMIC SINKTOP

GLASS SINKTOP

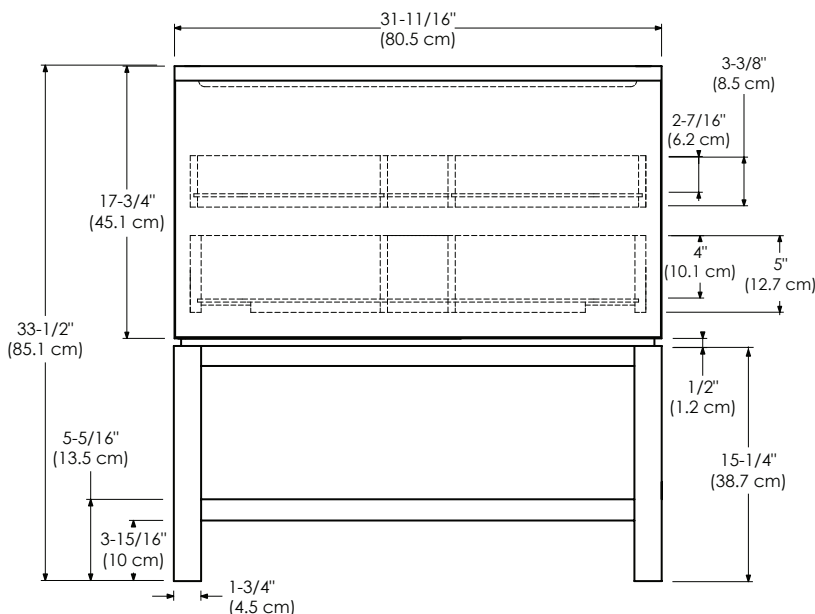
TECHSTONE™ TOP

WIDEAPPEAL™ TOP

TOP VIEW



FRONT VIEW



SIDE VIEW

