

**KINGSTON  
67" ACRYLIC  
SLIPPER TUB**

Cat. No.  
AS7H67LP



L: 66 1/2"  
W: 28 3/4"  
H: 24 3/4" - 31 1/2"

Water depth: 17 1/4" to top of tub

**The following is recommended for AS7H tubs:**

- Rim-mounted faucets: part #4601 or 7529
- Straight bath supplies: part #5577
- Leg tub drain: part #5599

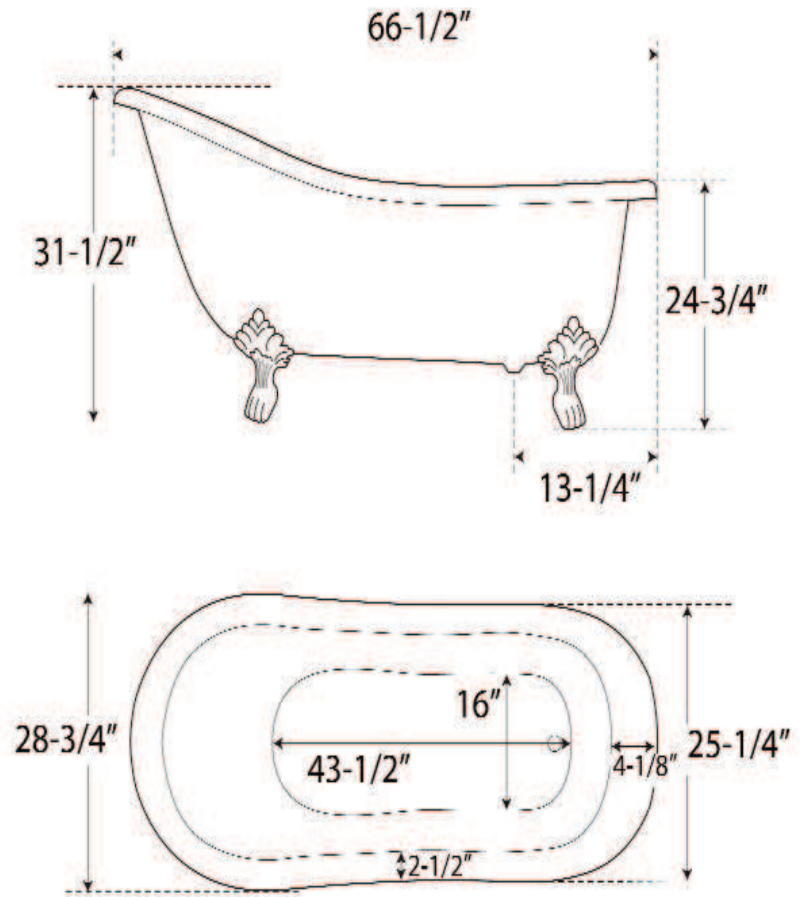
Gallon Capacity: 52  
Shipping Weight: 425 lbs.  
Empty Weight: 200 lbs.  
Filled Weight: 634 lbs.

**Features:**

- ▶ Interior and exterior walls acrylic sheets
- ▶ Space between walls partially filled with fiberglass & resin
- ▶ Lion paw feet available in 4 finishes
- ▶ 7" centers in tub deck
- ▶ Tub feet are attached and leveled before shipment.
- ▶ Tub is thoroughly inspected before shipment

**Feet Finishes:**

**BN** Brushed Nickel                      **PB** Polished Brass  
**CP** Polished Chrome                    **ORB** Oil Rubbed Bronze



Dimensions of fixture are nominal and specifications subject to change without notice.