

ELKAY[®]

SPECIFICATIONS

Elkay Specialty Collection™ Undermount Sinks Model SCUH1012 Series

GENERAL

High quality single bowl sink is formed of #18 gauge copper or type 304 (18-8) nickel bearing stainless steel material. Specialty Collection copper sinks are made from genuine solid, uncoated material and will naturally tarnish.

SCUH1012CH copper with hammered mirror finish

SCUH1012CM copper with mirror finish

SCUH1012CS copper with satin finish

SCUH1012SH stainless steel with hammered mirror finish

SCUH1012SM stainless steel with mirror finish

DESIGN FEATURES

Bowl Depth: 6-1/2".

Coved Corners: 3" vertical and horizontal radii.

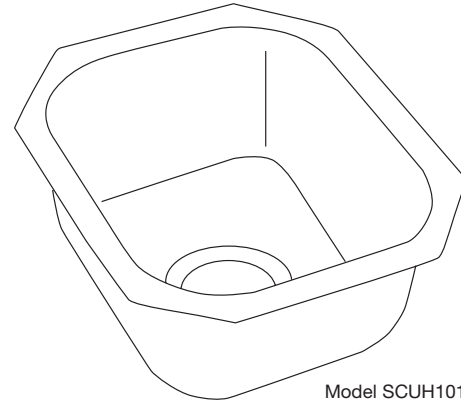
Underside: Sound deadening pads on sides.

OTHER

Drain Opening: 3-1/2".

Note: All Elkay undermount sinks are designed to affix easily to the underside of any solid surface countertop.

Copper sink models furnished complete with matching drain and basket strainer.



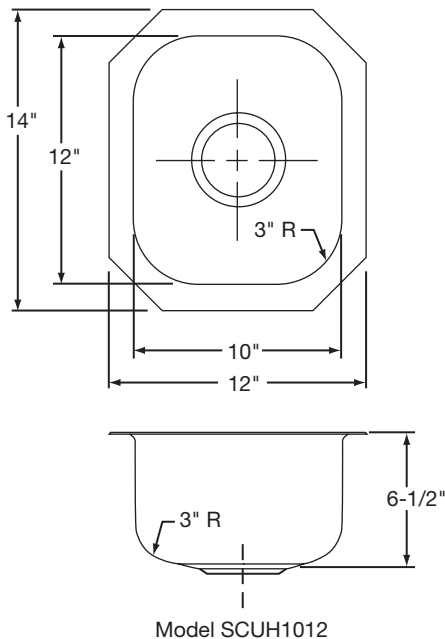
Model SCUH1012

SINK DIMENSIONS (INCHES)*

Model Number	Overall		Inside Bowl			Cutout in Countertop	Minimum Cabinet Size
	L	W	L	W	D		
SCUH1012CH	12	14	10	12	6½	See Template**	15
SCUH1012CM	12	14	10	12	6½		15
SCUH1012CS	12	14	10	12	6½		15
SCUH1012SH	12	14	10	12	6½		15
SCUH1012SM	12	14	10	12	6½		15

*Length is left to right. Width is front to back.

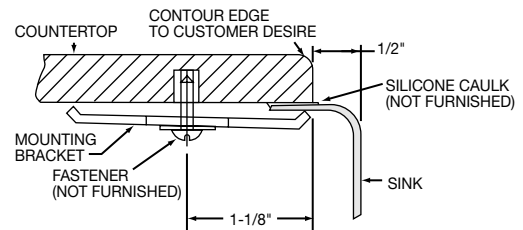
**Template and countertop mounting clips are packed with every sink.



Model SCUH1012

Installation Profile of SCUH Models

The template provided with each SCUH sink provides the only type of installation recommended by Elkay.



ALL DIMENSIONS IN INCHES, TO CONVERT TO MILLIMETERS MULTIPLY BY 25.4.

In keeping with our policy of continuing product improvement, Elkay reserves the right to change product specifications without notice.

This specification describes an Elkay product with design, quality and functional benefits to the user. When making a comparison of other producers' offerings, be certain these features are not overlooked.