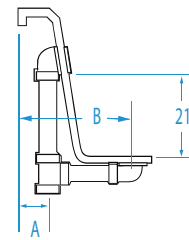
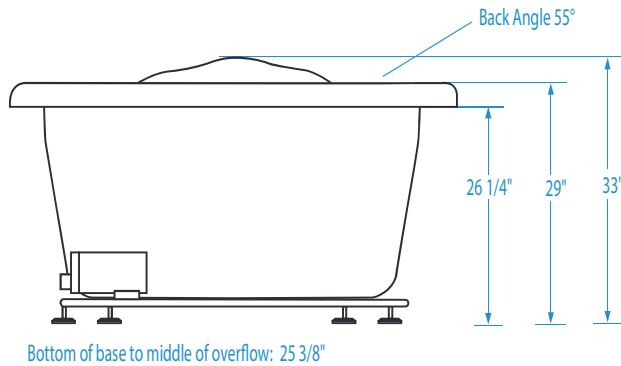
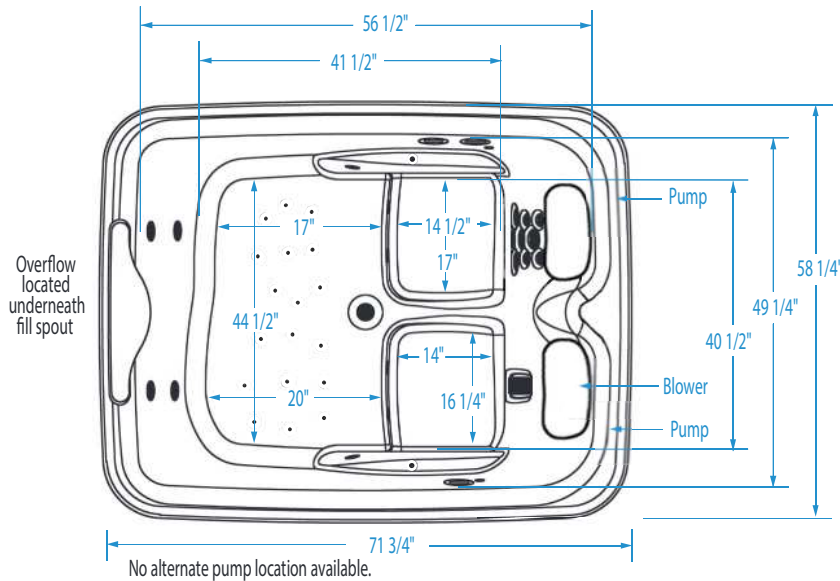


MILLENNIUM 7

71 3/4 x 58 1/4 x 33 (1820 x 1480 x 840)
inches (mm)



This unit has a 3/4" female waterfall fill spout connection.



FEATURES lbs (kg) Dimensional Tolerance ± 3/8". Dimensions needed for site preparation should be measured from the unit. Aquatic assumes no responsibility for preparatory work.

Type and Model #	Material	Jets	Pump	Air System	Blower	Heater	Controls	Drain	Pkg. Wt.
Air-Whirlpool #A17MIL7257	Acrylic	24	1.75 HP (2)	Injector	Variable speed (2)	1.5 kw Inline	Electronic	Center	685 (310)

DIMENSIONS inches (mm)

Width Overall / Net	Depth Overall / Net	Height Overall / Net	Skirt Height
71 3/4 (1820)	58 1/4 (1480)	33 (840)	-

SUMP DATA inches (mm)

Capacity to Overflow gal (ltr)	Min. Operating Capacity gal (ltr)	WIDTH @ centerline		DEPTH @ centerline	
		Top	Bottom	Top	Bottom
184 (695)	147 (555)	56 1/2 (1435)	41 1/2 (1055)	49 1/4 (1250)	40 1/2 (1030)

PLUMBING DIMENSIONS inches (mm)

A	B	Drain Diameter / Clearance
2 1/4 (55)	31 1/2 (800)	2 (50) / 3 1/2 (90)

ELECTRICAL DATA

Component	Specification	Requirement
Electronic Control Package		(2) 240V; 50 AMP w/ GFCI; 4-Wire w/ Dedicated Neutral

NOTES:

1) Where applicable, utilize cut-out templates packed with unit for deck cutouts.

2) 16 x 16 (405 x 405) minimum access required at pump/blower location(s).