

Date:

Client:

Project:

VOLA product: S50

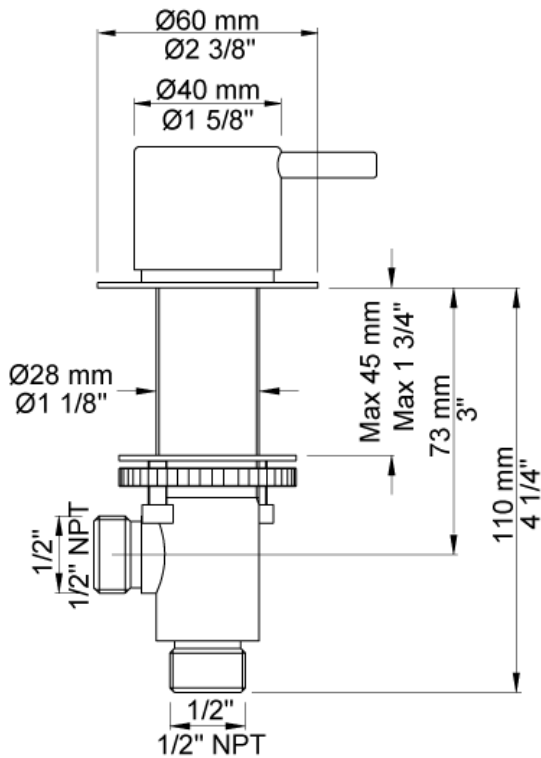


S50

Stop valve with ¼ turn ceramic disc technology. Includes non-return valve and ½" inlet/outlet. Hole cut out size: 28 mm max 35 mm.

Flow

	Bar:	1,0	2,0	3,0	4,0	5,0
S50	(l/min)	18,5	26,1	32,0	37,0	41,3



Available in colours

- Color 02, Grey
- Color 04, Light blue
- Color 05, Orange
- Color 06, Light green
- Color 08, Yellow
- Color 09, Dark grey
- Color 12, Mocca
- Color 14, Bright red
- Color 15, Dark blue
- Color 16, Polished chrome
- Color 17, Gloss black
- Color 18, White
- Color 19, Natural brass
- Color 20, Brushed chrome
- Color 21, Carmine red
- Color 25, Pink
- Color 27, Matt black
- Color 40, Brushed stainless steel

