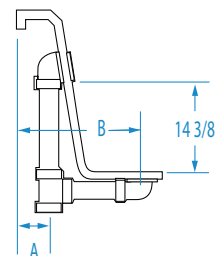
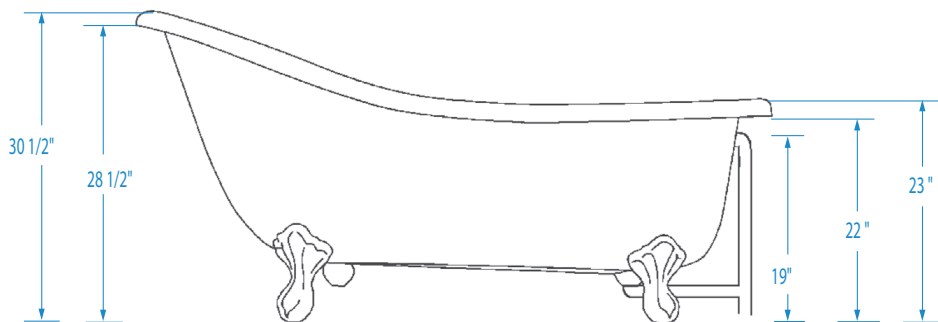
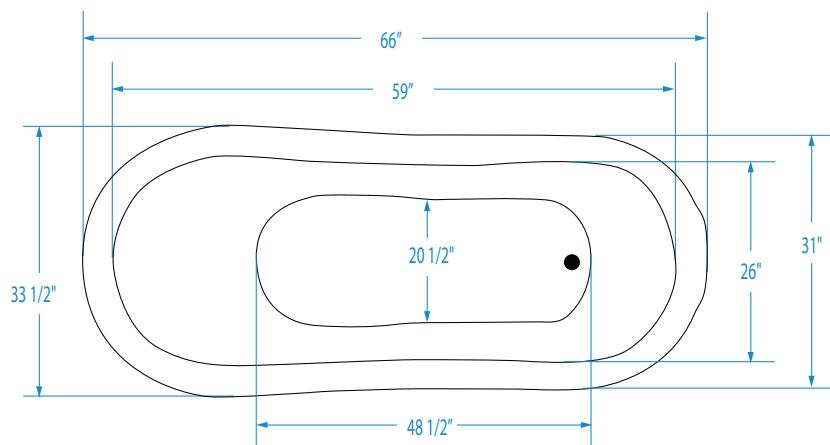


# SERENITY 44

66 x 33 1/2 x 30 1/2 (1675 x 850 x 775)  
inches (mm)



**FEATURES** lbs (kg) Dimensional Tolerance  $\pm 3/8"$ . Dimensions needed for site preparation should be measured from the unit. Aquatic assumes no responsibility for preparatory work.

Type and Model #	Material	Drain	Pkg. Wt.
Soaker #AIY6617TO	Acrylic	End	194 (85)

**DIMENSIONS** inches (mm)

Width Overall / Net	Depth Overall / Net	Height Overall / Net	Skirt Height
66 (1675)	33 1/2 (850)	30 1/2 (775)	-

**SUMP DATA** inches (mm)

Capacity to Overflow gal (ltr)	Min. Operating Capacity gal (ltr)	WIDTH @ centerline		DEPTH @ centerline	
		Top	Bottom	Top	Bottom
50 (190)	-	59 (1500)	48 1/2 (1230)	26 (660)	20 1/2 (520)

**PLUMBING DIMENSIONS** inches (mm)

A	B	Drain Diameter / Clearance
2 3/4 (70)	12 (305)	

**NOTES:**

1) Where applicable, utilize cut-out templates packed with unit for deck cutouts.

2) 16 x 16 (405 x 405) minimum access required at pump/blower location(s).