



PRODUCT DESCRIPTION

5238 Series 24" Wall Cabinet

- Available in Antique White (AWH) or Mahogany (MMG) Finish
- Solid Wood Frame
- Modular Suite Component
- Satin Nickel Hardware
- Adjustable Interior Shelf
- Satin Nickel Towel Bar

PRODUCT MEASUREMENTS

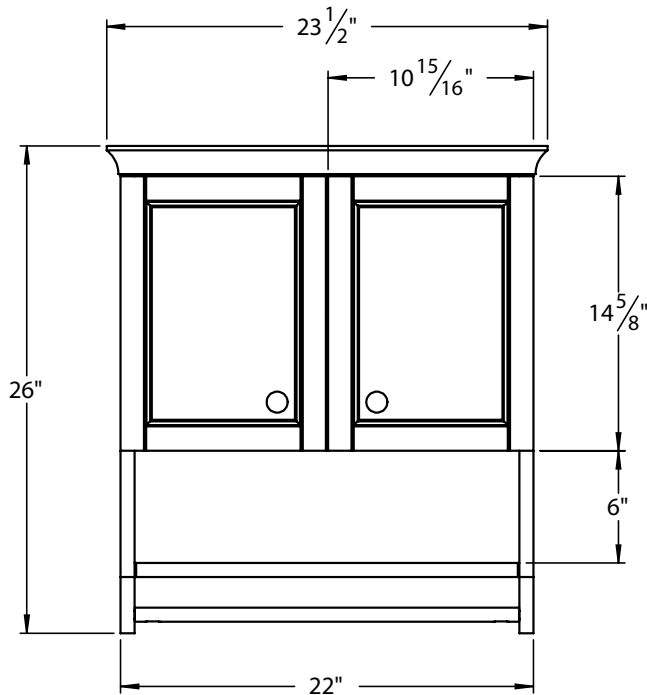
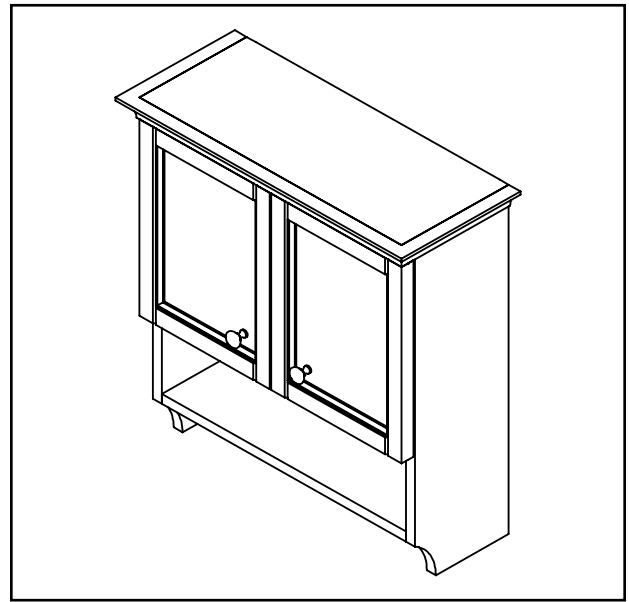
- Width: 23.5"
- Depth: 9.75"
- Height: 26"

RECOMMENDED ACCESSORIES

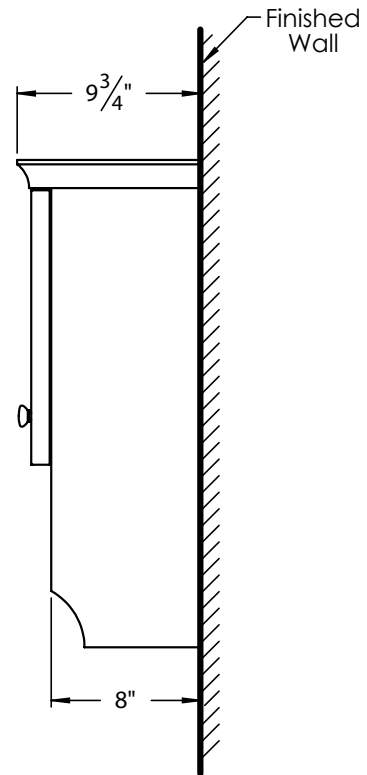
- 5231, 5232 or 5233 Vanity Base
- 5234 Linen Tower
- 9709 or 9710 Mirrors

ROUGHING-IN DIMENSIONS

Please Note: All drawings contain the necessary measurements which are subject to standard industry tolerances. They are stated in inches and are non-binding. Exact measurements, in particular for customized installation scenarios, can only be taken from the finished product.



FRONT VIEW



SIDE VIEW