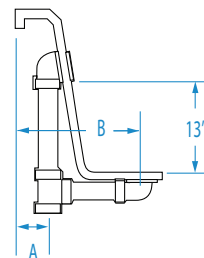
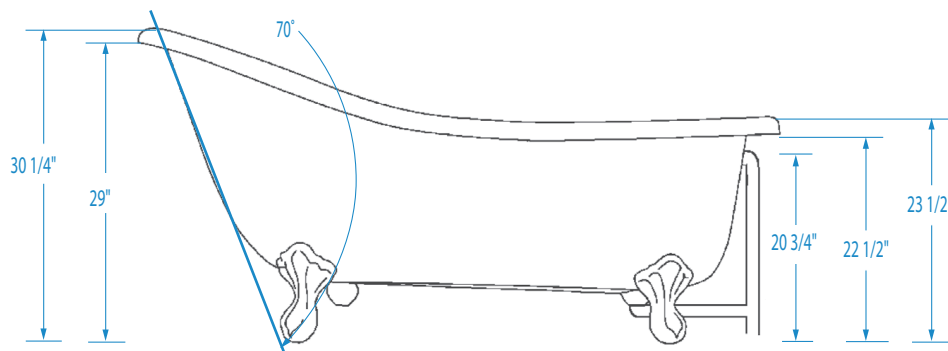
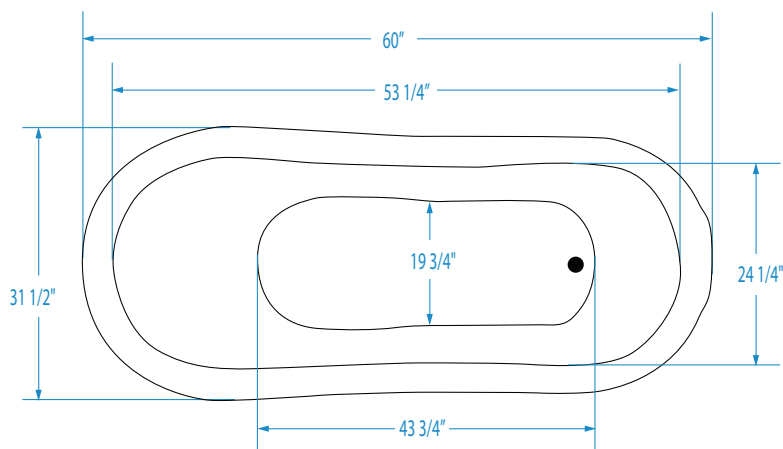


# SERENITY 43

60 x 31 1/2 x 30 1/4 (1525 x 800 x 770)  
inches (mm)



**FEATURES** lbs (kg) Dimensional Tolerance ± 3/8". Dimensions needed for site preparation should be measured from the unit. Aquatic assumes no responsibility for preparatory work.

Type and Model #	Material	Drain	Pkg. Wt.
Soaker #AIY6017TO	Acrylic	End	194 (85)

**DIMENSIONS** inches (mm)

Width Overall / Net	Depth Overall / Net	Height Overall / Net	Skirt Height
60 (1525)	31 1/2 (800)	30 1/4 (770)	-

**SUMP DATA** inches (mm)

Capacity to Overflow gal (ltr)	Min. Operating Capacity gal (ltr)	WIDTH @ centerline		DEPTH @ centerline	
		Top	Bottom	Top	Bottom
41 (155)	-	53 1/4 (1350)	43 3/4 (1110)	24 1/4 (615)	19 3/4 (500)

**PLUMBING DIMENSIONS** inches (mm)

A	B	Drain Diameter / Clearance
2 1/4 (55)	11 (280)	2 (50) / 4 7/8 (125)

**NOTES:**

1) Where applicable, utilize cut-out templates packed with unit for deck cutouts.

2) 16 x 16 (405 x 405) minimum access required at pump/blower location(s).