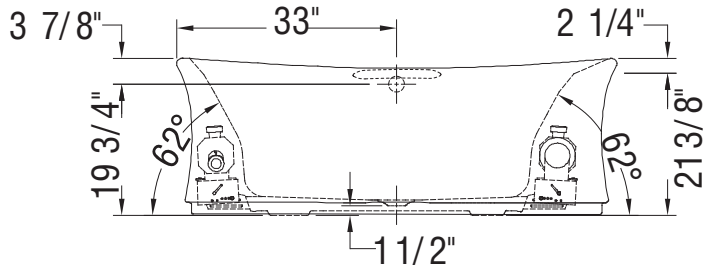
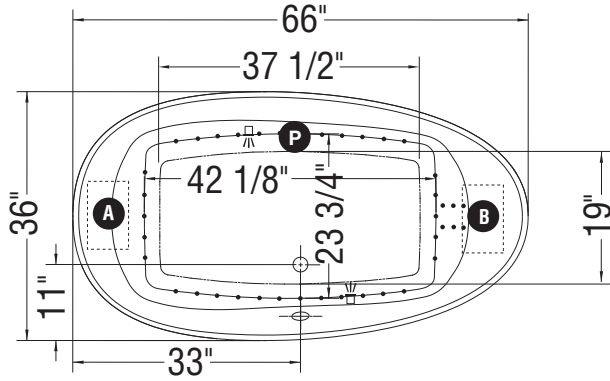


AIR SYSTEM



(A)
(B) : Specify blower and/or pump location when ordering

(P) : Indicates optional grab bar positioning

(⊕) : Indicates overflow positioning

(•) : Indicates airjets positioning

(☼) : Indicates chromatherapy light positioning

All dimensions are approximate. Structure measurements must be verified against the unit to ensure proper fit.