

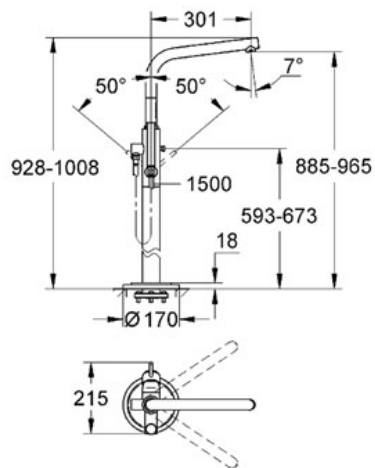
Single-lever Bath Mixer 1/2"

32135

Pure Freude an Wasser

GROHE

GROHE America, Inc | 200 North Gary Avenue, Suite G, Roselle, IL 60172
Phone: +1 (800) 444-7643 | Fax: +1 (800) 225-2778 | us-customerservice@grohe.com



Single-lever Bath Mixer 1/2"

- GROHE StarLight® finish
- GROHE SilkMove® ceramic cartridge
- Floor standing tub filler
- Requires Rough-In Set 29 038 000 (sold separately)
- Adjustable flow rate limiter
- 7° swivel tubular spout
- Stop limiter
- Diverter bath/shower
- 1/2" Integrated non-return valve in the shower outlet
- With shower holder
- Handshower (28 034)
- 59" shower hose
- **Protected against backflow**
- Requires 45 984 000 Rough-In
- Replaces 32 135 001
- Min. recommended pressure 15 psi

Color:

- 32135 002 GROHE StarLight®
Chrome