

**Product specifications**

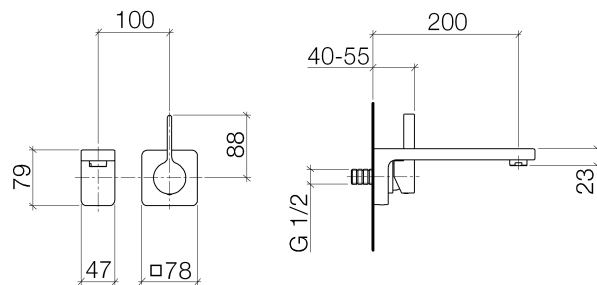
**Exposed trim parts only, rough to be ordered separately**

**• 7 7/8" projection**

- Fixed spout 1/2"
- M 24 x 1 aerator – male thread
- Water flow rate limited to max. 1.5 gpm
- low lead compliant
- Flange for mixer 3 1/8 x 3 1/8"
- 3 1/8" x 1 7/8" spout base

[ADA]

Mixer can be positioned to the right or to the left of spout.





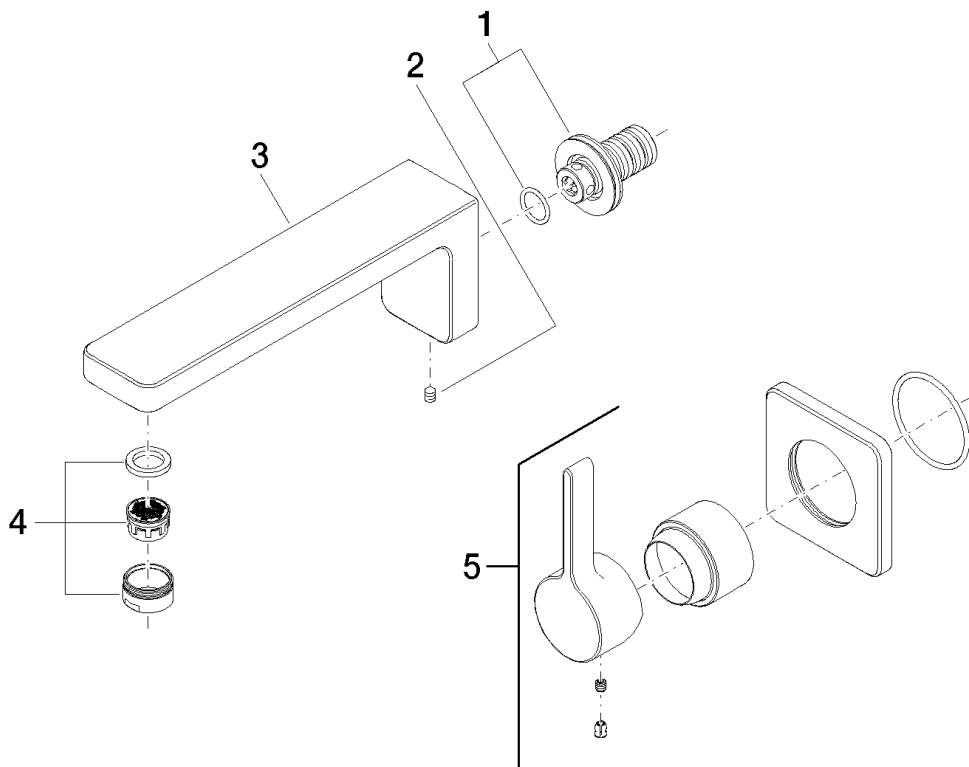
**Surfaces**

- chrome 36812710-000010
- chrome 36812710-000010
- matt platinum 36812710-060010
- matt platinum 36812710-060010

**Accessories required**

- Rough, handle on the right, spout on the left ;  
35806970
- Rough, handle on the right, spout on the left ;  
35806970
- Rough, handle on the left, spout on the right;  
35807970
- Rough, handle on the left, spout on the right;  
35807970

**Exploded assembly drawing**



**Order quantity**

<b>No.</b>	<b>Article number</b>	<b>Name</b>	<b>Installation quantity</b>
1	9024031080090	nipple set	1
2	09311100490	pin	1
3	09117109010ff	spout	1
4	90230111803ff	aerator	1
5	36008710ff	connection	1

