

Date:

Client:

Project:

VOLA product: 121



**121**

One-handle build-in mixer with ceramic disc technology.

121UP = Mixer 100.

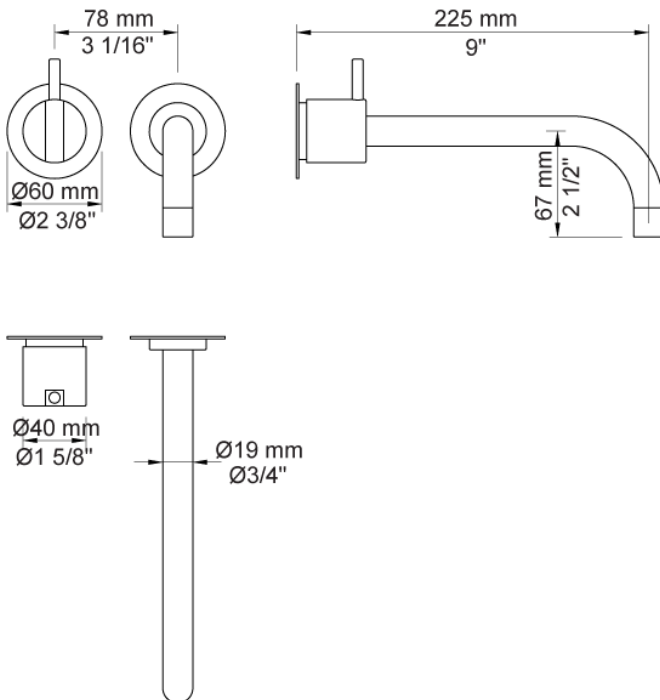
121AP = Handle NR28, 225 mm spout 020, 60 mm circular flanges 001, 3001.

**Flow**

	Bar:	1,0	2,0	3,0	4,0	5,0
121	(l/min)	5,0	5,0	5,0	5,0	5,0

**Available in colours**

- Color 02, Grey
- Color 04, Light blue
- Color 05, Orange
- Color 06, Light green
- Color 08, Yellow
- Color 09, Dark grey
- Color 12, Mocca
- Color 14, Bright red
- Color 15, Dark blue
- Color 16, Polished chrome
- Color 17, Gloss black
- Color 18, White
- Color 19, Natural brass
- Color 20, Brushed chrome
- Color 21, Carmine red
- Color 25, Pink
- Color 27, Matt black
- Color 40, Brushed stainless steel

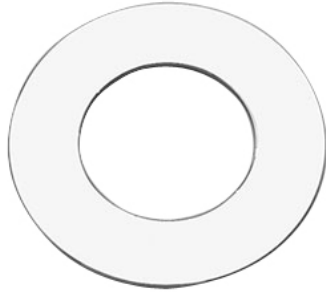


Date:

Client:

Project:

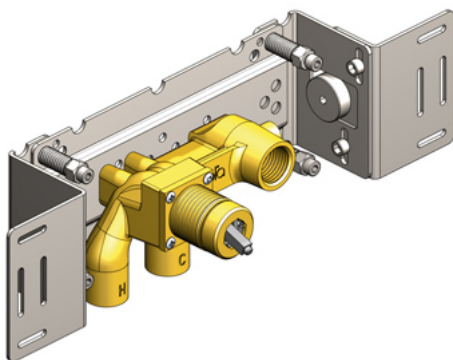
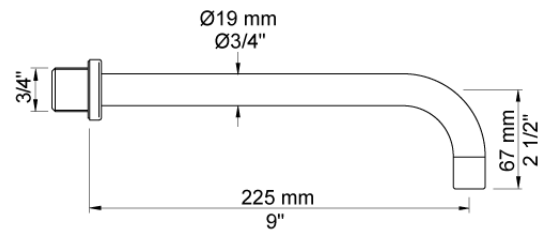
VOLA product: 121



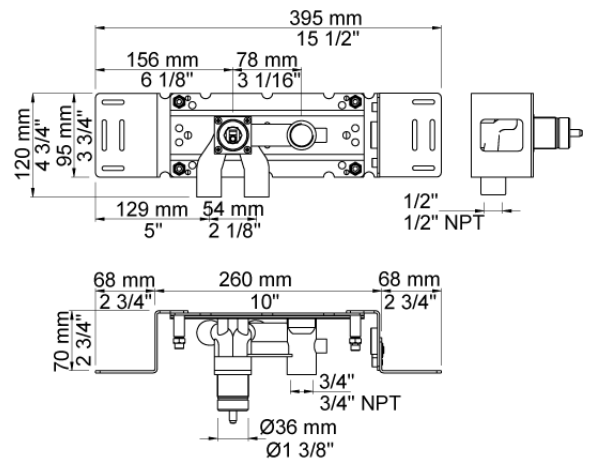
**001**  
60 mm circular flange.  
Hole Ø33 mm.



**020**  
225 mm fixed spout with water saving aerator.



**100**  
One-handle build-in mixer with fixed outlet socket.  
1/2" connection to copper, steel, iron or pex pipe work.

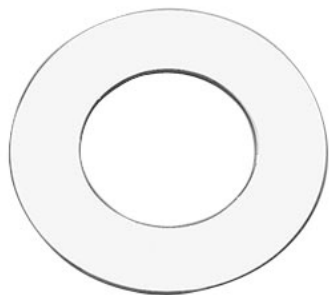


Date:

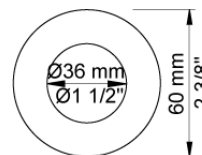
Client:

Project:

VOLA product: 121



**3001**  
60 mm circular flange. Hole Ø36 mm.



**NR28**  
Operating handle for 100, 200, 300, 400 incl. variants.  
Ø40 mm.

