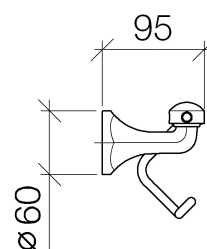
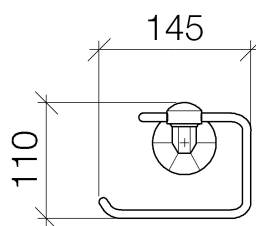




### Product specifications

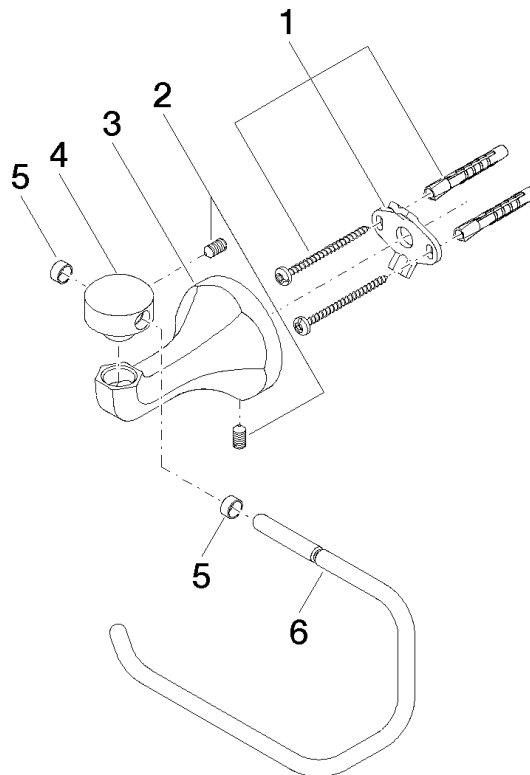
- Width 5 3/4"
- Height 4 3/4"
- Flange  $\varnothing$  2 3/8"
- 3 3/4" projection



### Surfaces

- |                 |             |
|-----------------|-------------|
| • chrome        | 83500360-00 |
| • chrome        | 83500360-00 |
| • matt platinum | 83500360-06 |
| • matt platinum | 83500360-06 |
| • platinum      | 83500360-08 |
| • platinum      | 83500360-08 |
| • brass         | 83500360-09 |
| • brass         | 83500360-09 |

**Exploded assembly drawing**



**Order quantity**

<b>No.</b>	<b>Article number</b>	<b>Name</b>	<b>Installation quantity</b>
<b>1</b>	0517207080090	fixing set	1
<b>2</b>	09311114490	pin	2
<b>3</b>	081736503ff	holder	1
<b>4</b>	081736551ff	holder	1
<b>5</b>	08184050590	sleeve	2
<b>6</b>	081870501ff	bow	1