

SPECIFICATIONS

FAIRMONT™ TWO HANDLE WIDESPREAD LAVATORY FAUCET

Model

D304040

Flow Rate

Description

- Ceramic disc valves
- 7" high spout, 5 1/2" spout length, laminar flow
- With metal touch down drain assembly
- 3 hole mount, 6" - 12" installation
- 1.5gpm (5.7L/min) maximum flow rate @60 psi

Standards



NSF/ANSI 372

• NSF/ANSI 372

MEETS ASME A112.18.1M/A112.18.1

• ASME A112.18.1M/A112.18.1



• ADA Accessibility Guidelines for Buildings and Facilities - 309.4 Operation for Operable Parts

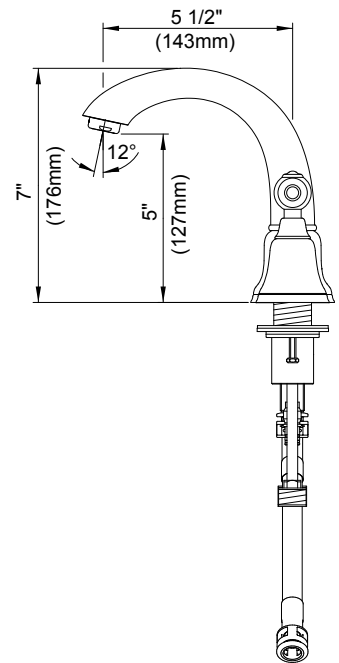
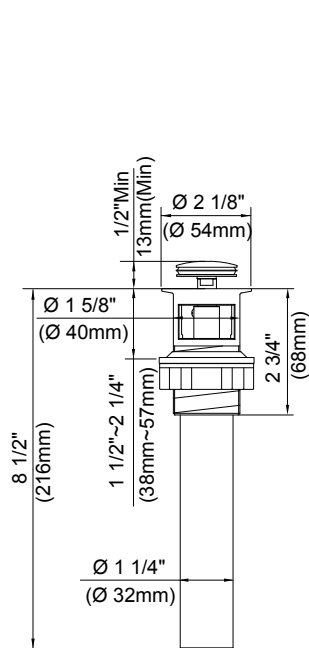
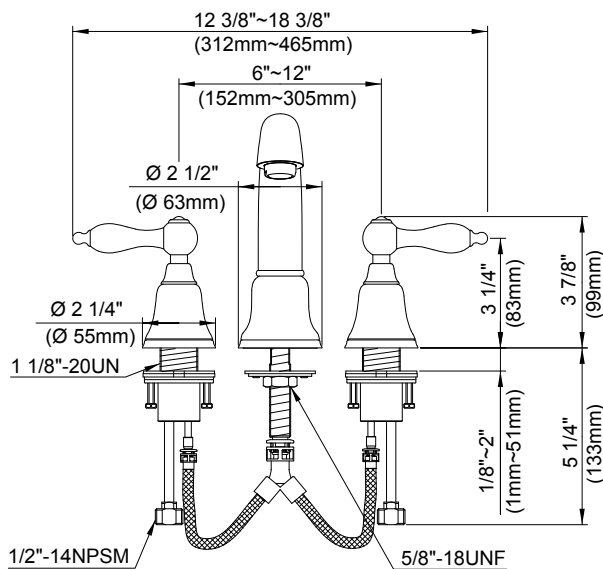
Warranty

Danze products are covered by a manufacturer's limited "lifetime" warranty for manufacturing defects.



Finishes Available

- Chrome
- Other: Refer to Price List for additional finish



Submittal Information:

Job Name: _____
 Contractor: _____

Location: _____
 Contact #: _____