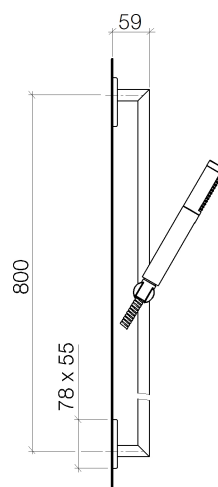




Product specifications

- Hand shower with descaling system and back flow preventer
- Flanges 3 1/8 x 2 1/8"
- 3/8" x 1/2" x 68 7/8" shower hose with rotating hose connector
- Center to center 31 1/2"
- Slide bar
- Water flow rate limited to max. 2 gpm



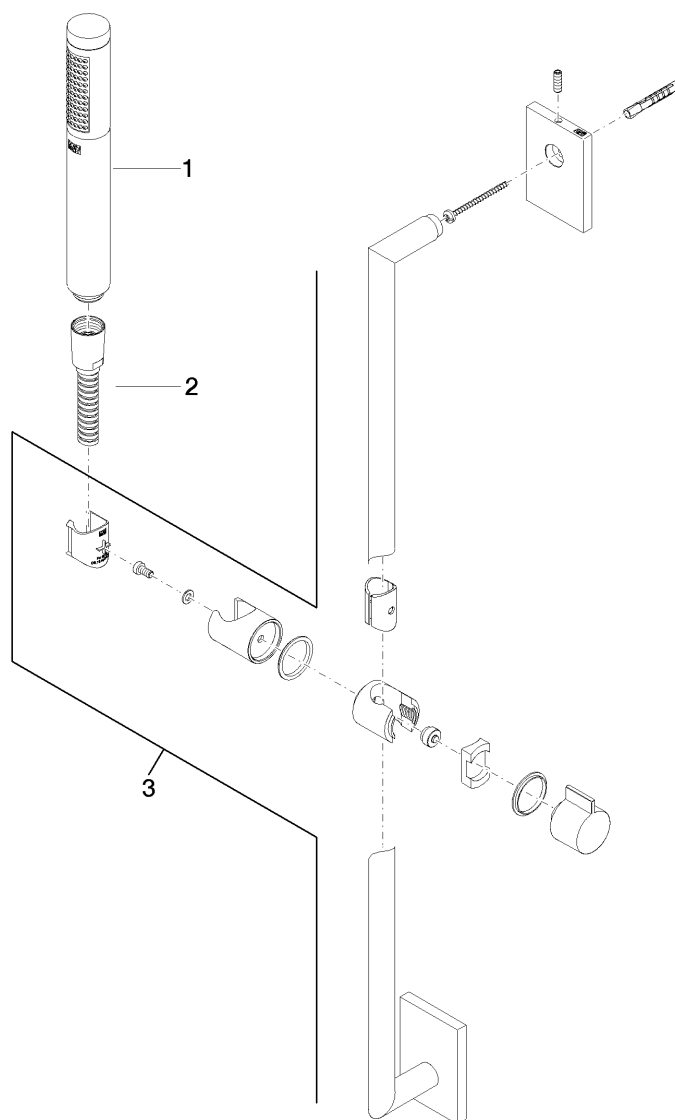
Surfaces

- | | |
|-------------|-------------|
| • chrome | 26402730-00 |
| • chrome | 26402730-00 |
| • champagne | 26402730-47 |
| • champagne | 26402730-47 |

Accessories required

- Rough-in adaptor; 35080970
- Rough-in adaptor; 35080970

Exploded assembly drawing



Order quantity

No.	Article number	Name	Installation quantity
1	28010979ff	shower	1
2	28322970ff	hose	1
3	26701730ff	shower set	1

