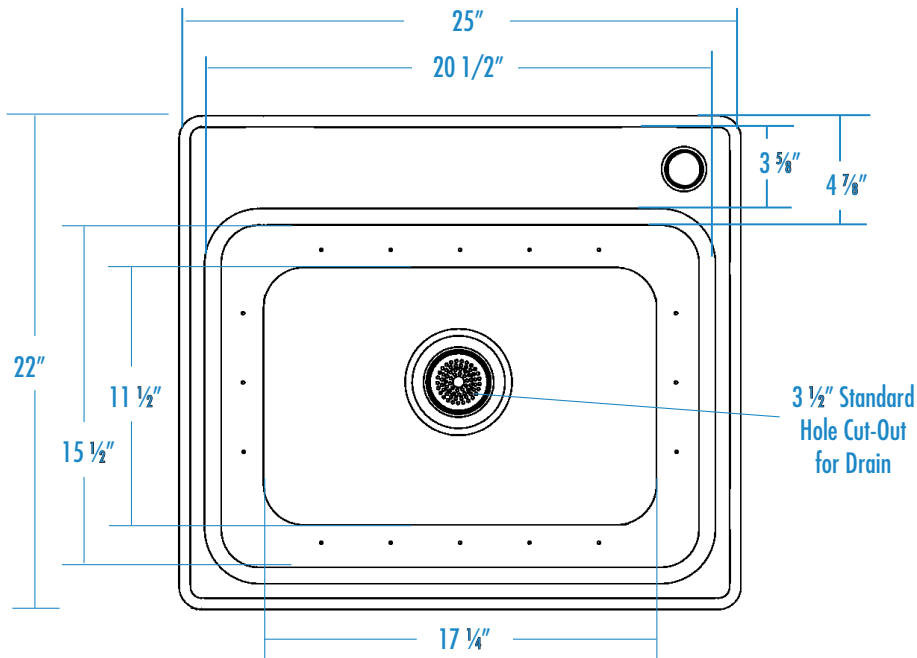


DELICAIR I & II

25 x 22 x 12 (635 x 559 x 305)
inches (mm)



FEATURES lbs (kg) Dimensional Tolerance ± 3/8". Dimensions needed for site preparation should be measured from the unit. Aquatic assumes no responsibility for preparatory work.

Model Name	Model #	Material	Air System	Blower	Controls	Drain	Pkg. Wt.
Delicair I	Basin #AI2522SKSO	Acrylic	-	-	-	Center	38 (17)
Delicair I	Basin with air jets #AI2522SK	Acrylic	Air jets (16)	Variable speed	Electronic	Center	48 (22)
Delicair II	Basin with air jets #AI2522SKAS	Acrylic	Air jets (14)	Air blower	Pneumatic	Center	48 (22)

DIMENSIONS

Model Name	D Inside Depth	W Inside Width	H Deck Height	Sink Well	Sink Interior Depth	Maximum Water Depth	Gallons to Overflow	Gallons to Operate
Delicair I	22 (560)	25 (635)	12 (305)	17 1/4 x 11 1/2 (440 x 290)	11 3/16 (285)	11 3/16 (285)	11 3/4 (44)	5 1/2 (20)
Delicair II	22 (560)	25 (635)	12 (305)	17 1/4 x 11 1/2 (440 x 290)	11 3/16 (285)	11 3/16 (285)	11 3/4 (44)	5 1/2 (20)