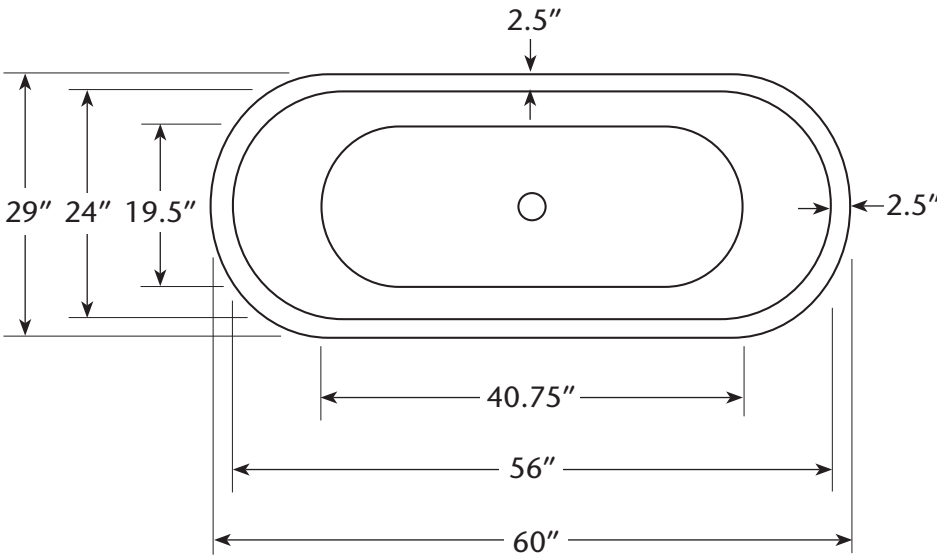


60" Aurora



FEATURES

- * 60" x 29" x 30" OD
- * Hand hammered 16 gauge copper
- * Single walled bathtub
- * 2" drain opening
- * Dimensions are not exact and may vary $\pm 1"$

FINISHES

- * Antique - CPS912
- * Brushed Nickel - CPS915

INSTALLATION

- * Bathtub
- * Freestanding

COORDINATING ACCESSORIES

- * Trip Lever Bath Waste & Overflow: DR280

STANDARDS COMPLIANCE

- * IAPMO Listed / UPC

IMPORTANT

Due to the handcrafted nature of this product, it will vary in finish, texture, hammering, and other details. Dimensions may vary up to 1". We strongly recommend that you wait for the actual product before making any installation cuts.

