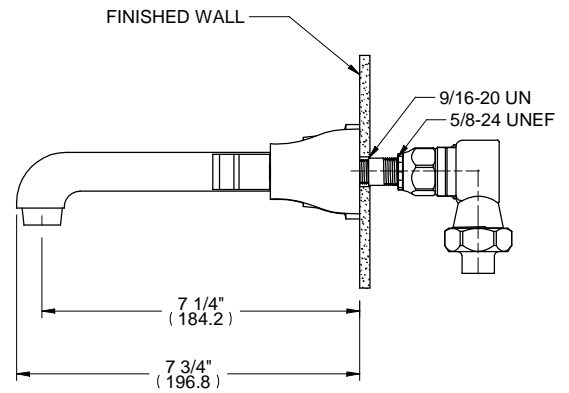
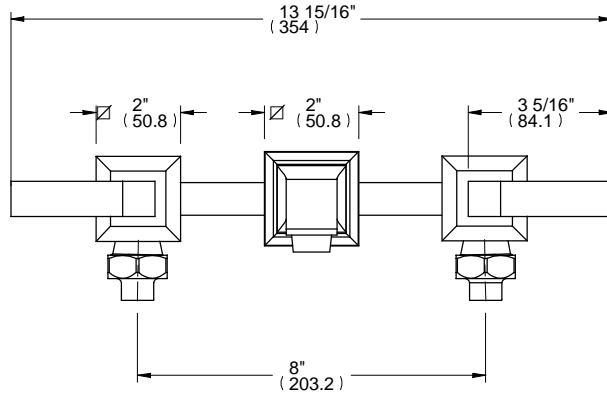


L1



ALTMANS RESERVES THE RIGHT
 TO MODIFY AND CHANGE
 SPECIFICATIONS AT ANY
 TIME. PLEASE VERIFY DIMENSIONS
 PRIOR TO INSTALLATION.

Features

Available in All Finishes
 Low Lead Brass Construction
 1/4 Turn Ceramic Disc Cartridge

Through-Hole Specifications

Spout: $\varnothing 1 \frac{1}{4}''$ Max.
 Valve: $\varnothing 1 \frac{1}{4}''$ Max.

DIMENSIONS SHOWN TO NEAREST 1/16"