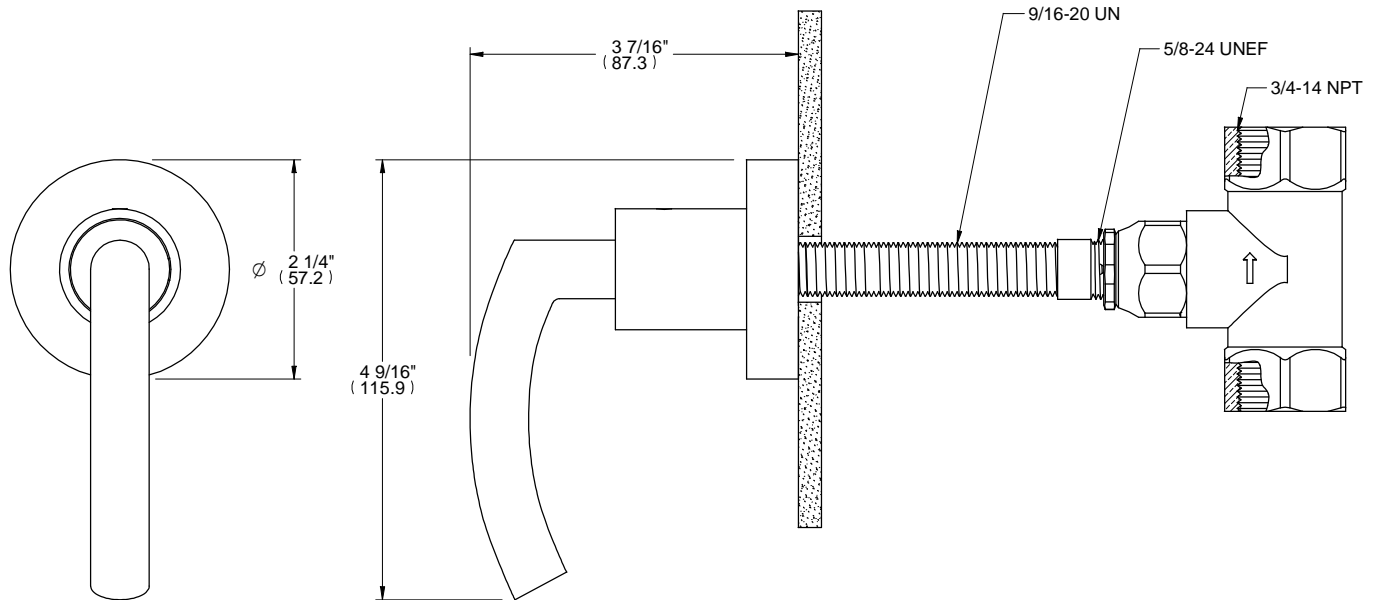


L1



ALTMANS RESERVES THE RIGHT TO MODIFY AND CHANGE SPECIFICATIONS AT ANY TIME. PLEASE VERIFY DIMENSIONS PRIOR TO INSTALLATION.

Features
Available in All Finishes
Brass Construction
1/4 Turn Ceramic Disc Cartridge

Through-Hole Specifications
 $\varnothing 1 \frac{3}{4}"$ Max.

DIMENSIONS SHOWN TO NEAREST 1/16"