

ROHL®

Authentic Luxury for Kitchen and Bath™

www.rohlhome.com



TRIM FOR PRESSURE BALANCED CONCEALED BATH AND SHOWER MIXER WITH DIVERTER

ROHL Perrin & Row® Bath

U.2000L (Lever Handle)
U.2000X (Cross Handle)

FEATURES

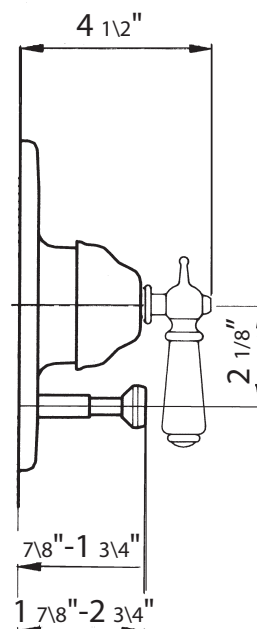
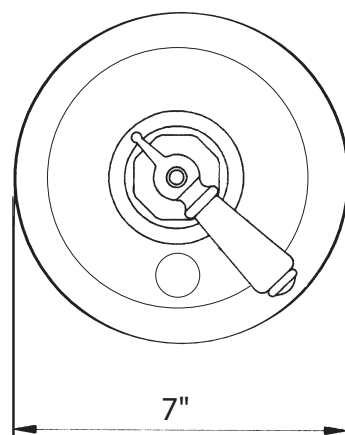
- Single lever handle or cross handle
- Pressure balanced concealed bath or shower mixer trim
- Bath to shower diverter
- Coverplate, dome, handle and divert knob made from solid brass
- To Complete package order RMV-2 rough valve

FINISHES

- Polished Chrome
- Polished Nickel
- Satin Nickel
- Inca Brass
- English Bronze

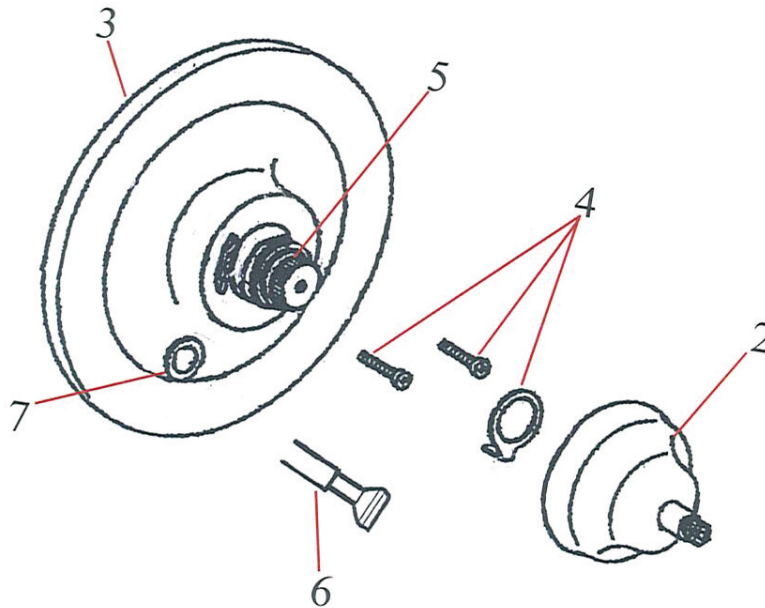
WARRANTY

- Limited Lifetime



Consult your local ROHL showroom for additional information and specifications. For complete warranty details and a list of showrooms, go to www.rohlhome.com.

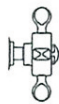
U.2000 Spare Parts



Part Details:

1. Lever Options

X
(Cross Handle)



U.5532X

L
(Metal and Porcelain Lever)

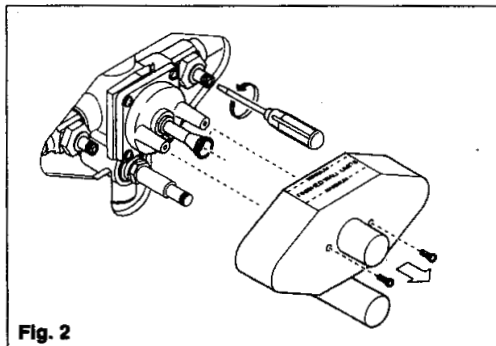
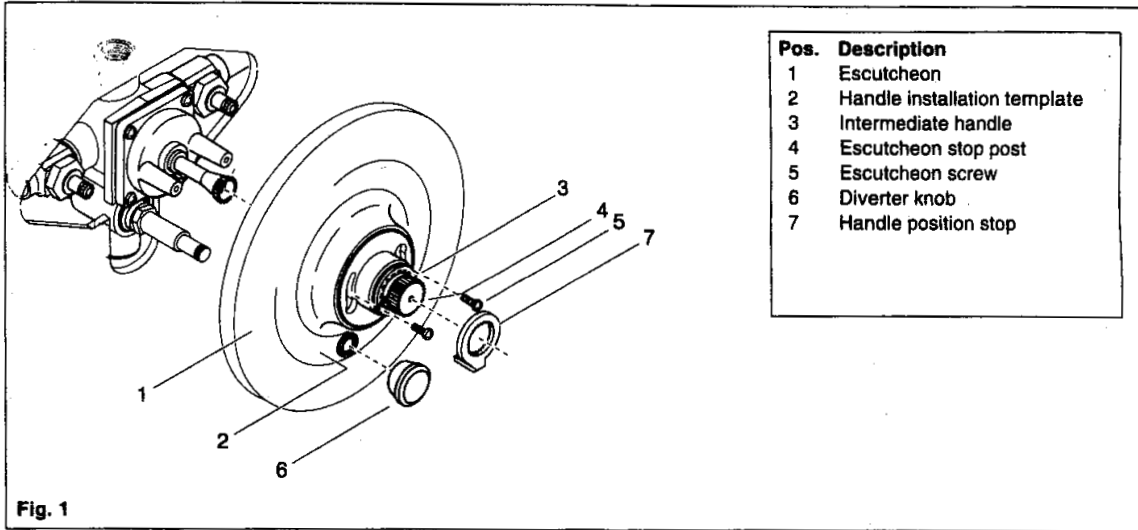


U.5525L

- | | |
|---|-----------------------------|
| 2. Cover with Spindle | ZZ931640* |
| 3. Faceplate Escutcheon | ZZ931620* |
| 4. Hot Limit Stop with Faceplate Screws | 2303-1210 |
| 5. Intermediate Handle Assembly | 2303-0347 |
| 6. Diverter Trim Assembly | 3604-2591* (Chrome Only) |
| | 3604-2591* (Other Finishes) |
| 7. Rubber Grommet | 0304-0767 |

Installation Instructions

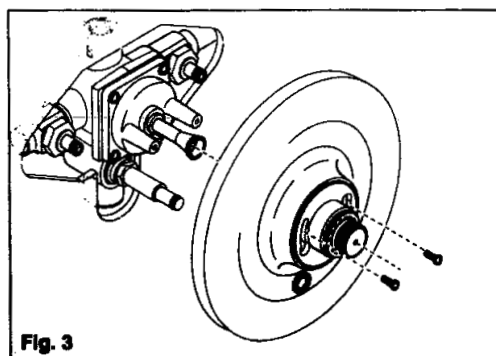
Trim Set for Concealed Integral Diverter Valves Installation Instructions



Installation

NOTE: Failure to follow these instructions may cause damage or improper operation and nullify the warranty!

- Remove the two screws from the finished wall template, then remove the template.
- Remove the diverter protective sleeve
- Make sure the hot and cold water supply is fully open using the service stop valves, if available.



- Line up escutcheon with the diverter stem and the valve stem driver.

Installation Instructions

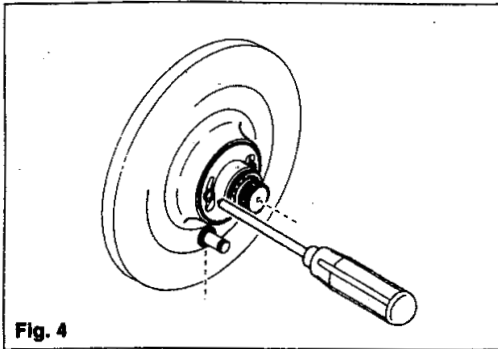


Fig. 4

- Slide the escutcheon over the diverter and valve stem driver. Support the escutcheon grommet as it slides over the diverter stem
- Insert the escutcheon screws through the escutcheon and into the tapings on the valve cover posts. Tighten the escutcheon screws so the escutcheon is tight to the wall.

Setting Handle Position Stop

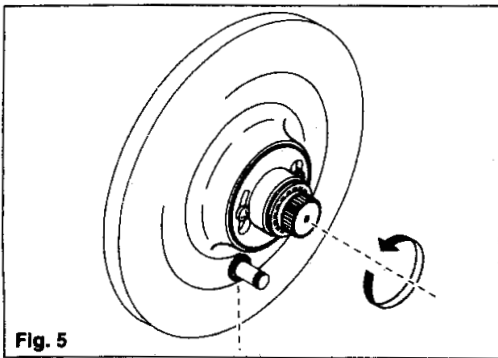


Fig. 5

- Rotate the intermediate handle counterclockwise until a desired and safe hot water temperature is reached (recommended maximum is 110 °F / 43.3 °C).
- Place the handle position stop (1) over the splines on the intermediate handle (2) with the stop ring resting against the escutcheon stop post (3). (See fig. 6)

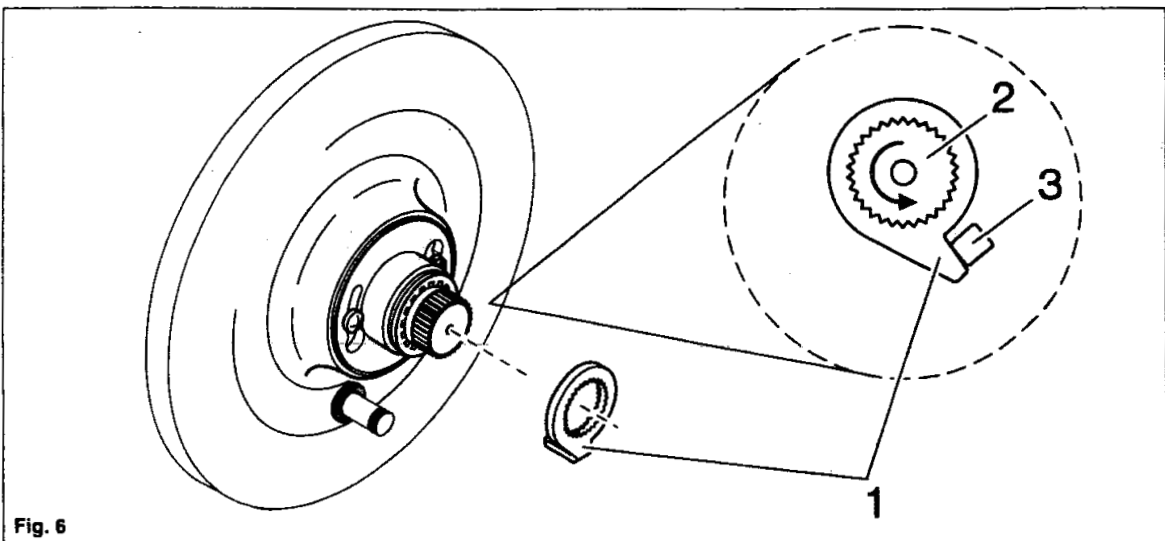


Fig. 6

Installation Instructions

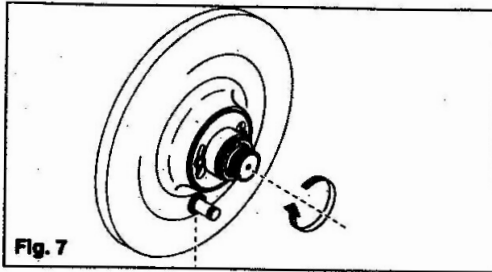


Fig. 7

- Rotate the intermediate handle clockwise until it stops, closing the valve.

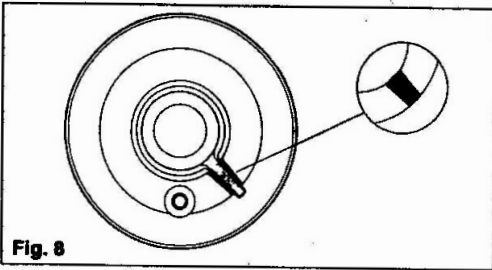


Fig. 8

- Place lever handle onto the intermediate handle, lining up the handle lever with the marking on the handle installation template.

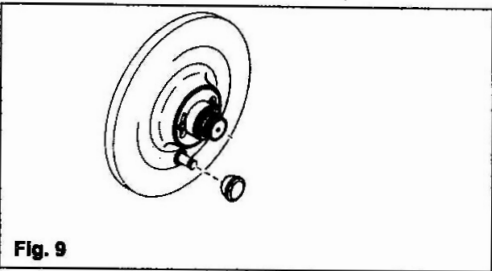


Fig. 9

- Install handle screw and fasten to the intermediate handle.
- Gently press the handle button into place.
- Screw the diverter knob onto the diverter stem.
- Remove the handle installation template

Spare Parts

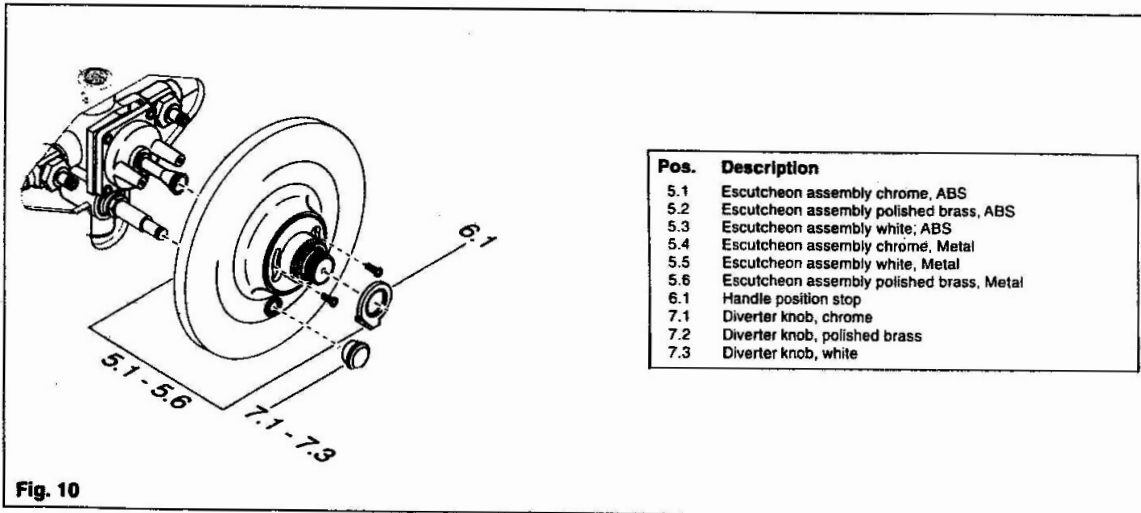


Fig. 10

Pos.	Description
5.1	Escutcheon assembly chrome, ABS
5.2	Escutcheon assembly polished brass, ABS
5.3	Escutcheon assembly white; ABS
5.4	Escutcheon assembly chrome, Metal
5.5	Escutcheon assembly white, Metal
5.6	Escutcheon assembly polished brass, Metal
6.1	Handle position stop
7.1	Diverter knob, chrome
7.2	Diverter knob, polished brass
7.3	Diverter knob, white

Installation Instructions

MALFUNCTION	CAUSE	REMEDY
Shower control opening through hot.	Hot and cold water supplies have been connected in reverse.	Rotate cartridge as described in "Pressure Balancing Integral Diverter Valve Installation Instructions".
Tub filler or shower head drips after shutting off the valve.	Water remains in the piping column to the shower head. (This is normal) Incorrect setting of the mechanical stop against the stop post causing a partially opened cartridge. Cartridge inlet O-rings or the filter insert O-rings are faulty.	Allow approximately 3-5 minutes to drain column.* Reset the mechanical stop as described in "Pressure Balancing Integral Diverter Valve Installation Instructions". Check the O-rings on the cartridge inlets and the filter inserts for cuts or damage and replace if necessary.
Shower insufficiently hot.	Adjustable handle position stop incorrectly set.	Refer to the instructions on setting the handle position stop as described in "Trim Set for Concealed Integral Diverter Valves Installation Instructions" Check hot water source for temperature setting
No flow of hot or cold water.	Either the hot or cold side is not fully pressurized. Debris in the inlet filters. Valve could be installed too deep.	Be sure service stops are both wide open and system is fully pressurized. Remove cartridge, filter inserts and filters and remove any debris lodged inside the filters Install either the 1/2" or 3/4" extension kit and extended diverter
Valve body too deep into wall.	The measured rough in or finished wall surface is incorrect.	Install either the 1/2" or 3/4" extension kit and extended diverter

***Note: At no time try to stop dripping by applying extreme force when closing the valve!**

Operation

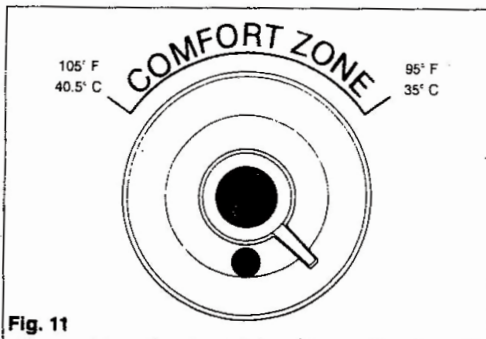


Fig. 11

A counterclockwise rotation opens the valve beginning with cold water. This prevents accidental scalding. A handle position stop can be adjusted to limit the exposure to an extremely hot mixed water temperature. To close the valve, you again return through cold water.

The valve's comfort zone ensures a safe, reliable and precise adjustment of mixed water temperature in the range from 95°F (35°C) to 105°F (40.5°C).

The feather light touch of the lever handle provides simple and easy control for the young or elderly.

To direct water to the shower head pull the diverter knob. When the valve is turned off the diverter will automatically open to the tub position.

WARNING! At no time try to stop dripping by applying extreme force when closing the valve.

Maintenance

Warning! Many household cleaners contain mild abrasives or chemicals and should never be used for cleaning chromium plated, gold plated, or other special finishes. These finishes should be cleaned using a mild detergent or soap solution and a soft cloth. Wipe dry for best results.