

Kiwami® Renesse® Deck-Mount Bath Faucet Trim

FEATURES

- Durable brass construction
- Metal pop-up waste assembly
- For use with the TBKT deck-mount bath faucet valve

COLORS/FINISHES

- #CP Polished Chrome



CODES/STANDARDS

- Meets or exceeds ASME A112.18.1/CSA B125.1
- Certifications: IAPMO(cUPC), State of Massachusetts, City of Los Angeles, and others
- Code Compliance: UPC, IPC, NSPC, NPC Canada, and others



PRODUCT SPECIFICATION

Two-handle deck-mounted tub filler shall feature durable brass construction and thermostatic control. Shall require valve, sold separately. Fitting shall be TOTO Model TB170DD_____.

TB170DD

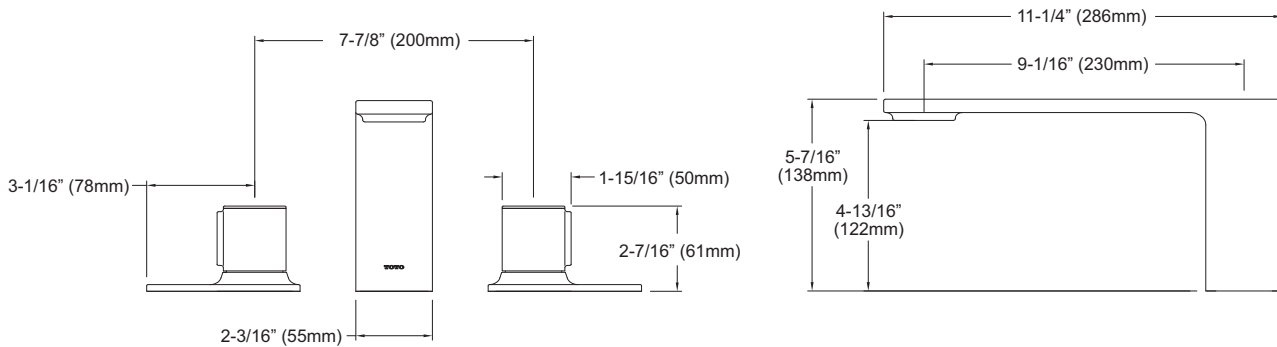
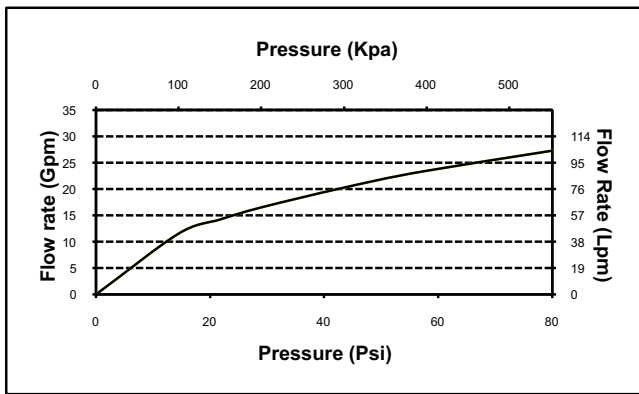
Kiwami® Renesse® Deck-Mount Bath Faucet Trim

SPECIFICATIONS

- Warranty: Lifetime Limited Warranty (Residential Use)
One Year (Commercial Use)
- Material: Brass
- Shipping Weight: 11.3 lbs.
- Shipping Dimensions: 15" L x 14" W x 4-1/2" H

INSTALLATION NOTES

VALVE REQUIRED:
Kiwami® Renesse® deck-mount bath faucet valve, model TBKT sold separately.



IMPORTANT NOTE: This valve/trim can only be installed in a built-up deck. It cannot be installed on pre-finished deck or on tub rim.

TOTO®

These dimensions and specifications are subject to change without notice