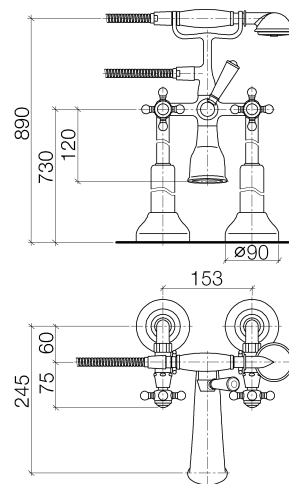




### Product specifications

- **9 5/8" projection**
- Non aerated flow
- Back flow preventer in shower outlet
- 1/2" ceramic disc cartridge
- Diverter
- Hand shower bracket
- Hand shower with back flow preventer
- 49 1/4" shower hose with rotating hose connector
- Riser flange diameter 3 1/2"
- Total height 35 3/8"
- Riser height 28 3/4"
- Height up to spout 24"
- Center to center 5 7/8"
- Hand shower water flow rate limited to max. 2.38 gpm
- Internal backflow preventer.

**NOTE: Local building codes may require the use of an anti-scald device. Please refer to remote pressure balanced valve (35 910 970 90)**





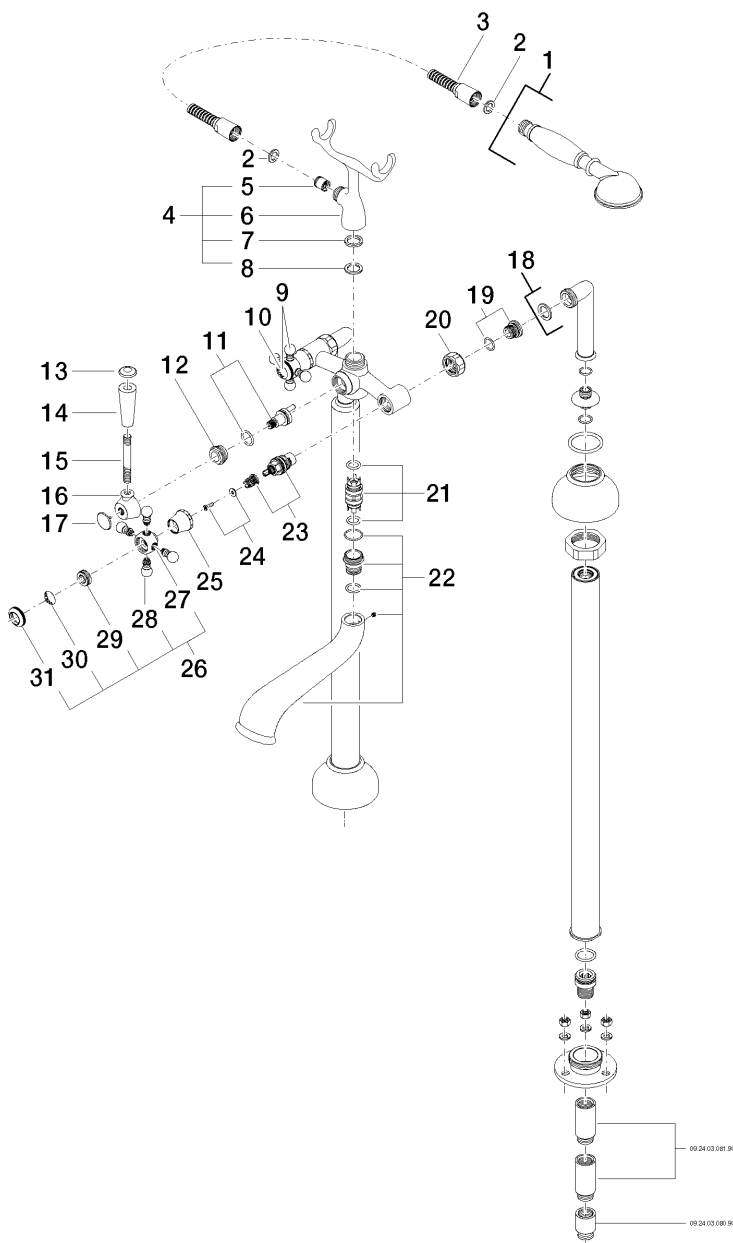
**Surfaces**

- chrome 25943360-00
- chrome 25943360-00
- matt platinum 25943360-06
- matt platinum 25943360-06
- platinum 25943360-08
- platinum 25943360-08
- brass 25943360-09
- brass 25943360-09

**Accessories required**

- Rough for floor mounted spout/mixer; 35944970
- Rough for floor mounted spout/mixer; 35944970

**Exploded assembly drawing**



**Order quantity**

<b>No.</b>	<b>Article number</b>	<b>Name</b>	<b>Installation quantity</b>
1	28002970ff	shower	1
2	09142000290	seal	2
3	28104970ff	hose	1
4	04172001000ff	holder	1
5	09230104090	back-flow preventer	1
6	091720010ff	holder	1
7	09140500890	seal	1
8	09142001090	seal	1
9	04203600207ff	handle ( hot )	1
10	09260101190	accessories	1
11	0415010010090	diverter	1
12	09231000790	nut	1
13	093030062ff	screw	1
14	11170370ff	handle	1
15	09282201390	pipe	1
16	091820011ff	base	1
17	093030064ff	screw	1
18	12943360ff	connection	2
19	0429050140090	nipple	2
20	092330010ff	nut	2
21	0421100100090	insert	1
22	13592380ff	spout	1
23	9090031310090	top	2
24	0430300290090	fixing set	2
25	092102055ff	cover	2
26	04203600206ff	handle ( cold )	1
27	092036002ff	handle	2
28	092036004ff	handle	8
29	09208300690	handle	2

**Madison Two-hole tub mixer with hand shower set on risers, for floor-mounting installation**

Article number: 25943360



---

<b>30</b>	09260101090	accessories	1
<b>31</b>	092036005ff	handle	2

---

