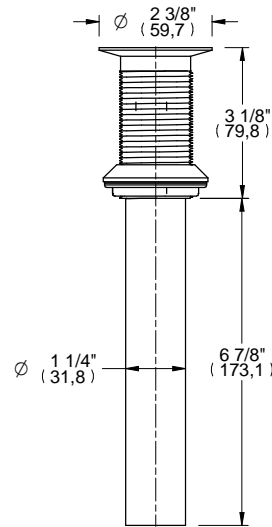
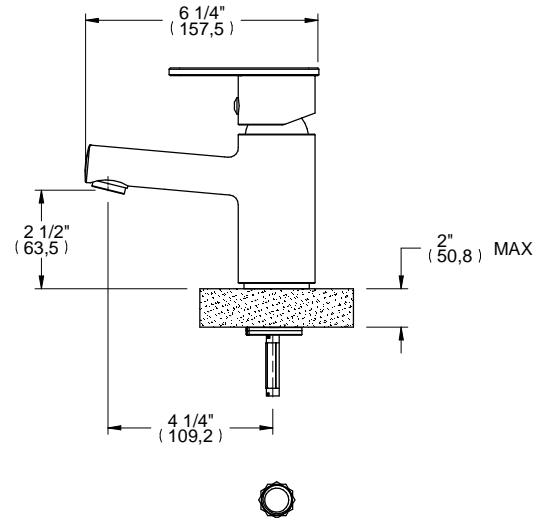
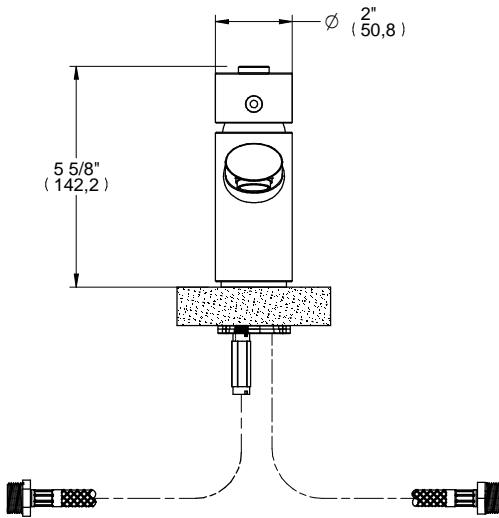




*CAL*Green



L1



ALTMANS RESERVES THE RIGHT TO MODIFY AND CHANGE SPECIFICATIONS AT ANY TIME. PLEASE VERIFY DIMENSIONS PRIOR TO INSTALLATION.

Features

- Available in Chrome & Xsn
- Low Lead Brass Construction
- Ceramic Cartridge
- Flexible Connections for Easy Installation
- 15" Hose reach
- With 1 LB7 Grid Drain

Through-Hole Specifications

Spout: $\varnothing 1 \frac{1}{4}"$ MAX

DIMENSIONS SHOWN TO NEAREST 1/16"