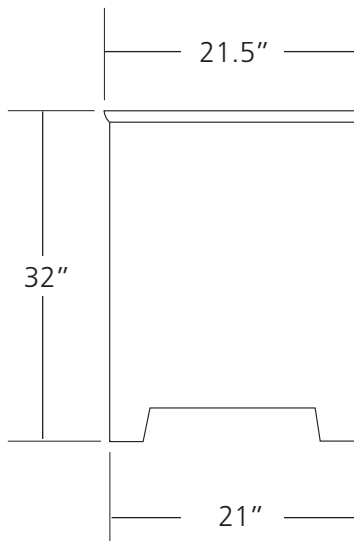
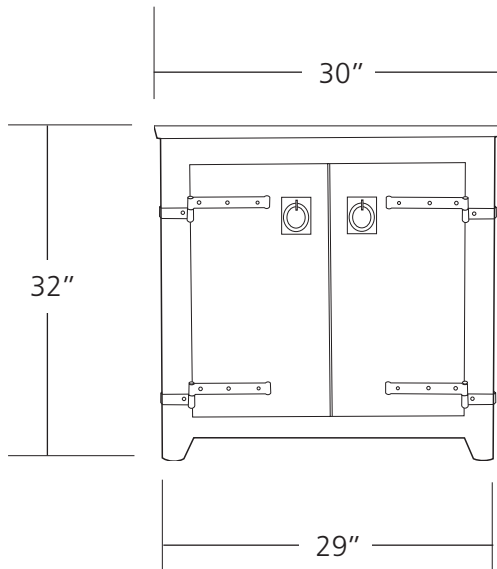


*SPECIFICATIONS FOR*  
**30" AMERICANA VANITY**



- VNB301 - Chestnut
- VNB300 - Whitewash
- VNB308 - Anvil
- VNB309 - Driftwood

**PRODUCT DETAILS**

- \* 30" w x 21.5" d x 32" h
- \* Reclaimed wood
- \* Hand forged iron hinges and pulls
- \* Solid wood back
- \* Hand rubbed finish

**INSTALLATION**

- \* Freestanding vanity base

**COORDINATING PRODUCTS**

- \* Native Trails stone, Tuscany or Sedona vanity tops
- \* Americana Mirrors, Cabinet, Cubby and Hutch

**IMPORTANT**

Due to the handcrafted nature of this product, it will vary in finish, texture, hammering, and other details. Dimensions may vary up to 1/2". We strongly recommend that you wait for the actual product before making any installation cuts.