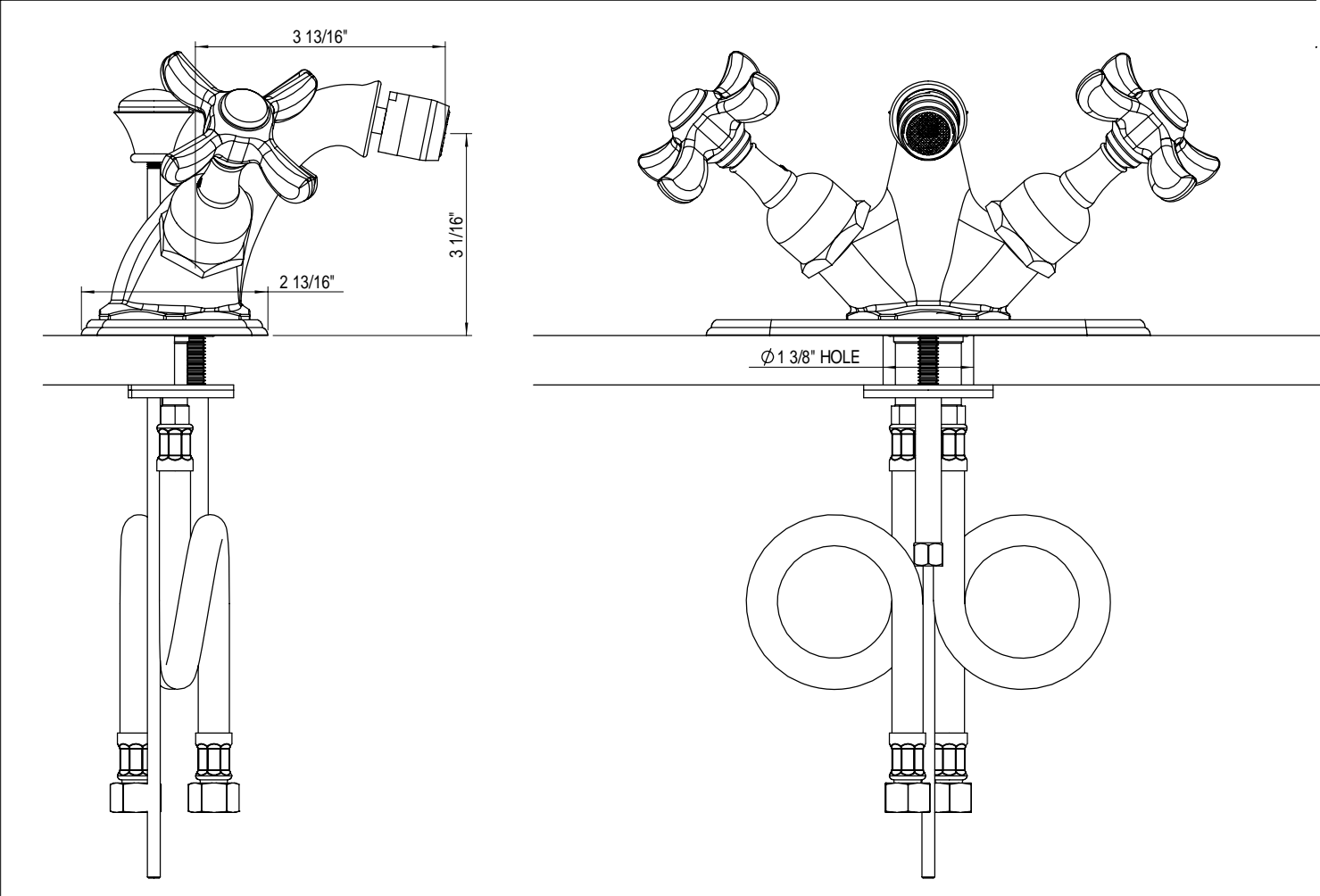


# Single Hole Dual Handle Bidet Fittings with 4" Cover Plate 6BRBRVC



TEL: 905-851-6781  
FAX: 905-851-8031  
TOLL FREE: 800-461-5901

the RUBINET FAUCET COMPANY

[www.rubinet.com](http://www.rubinet.com)